

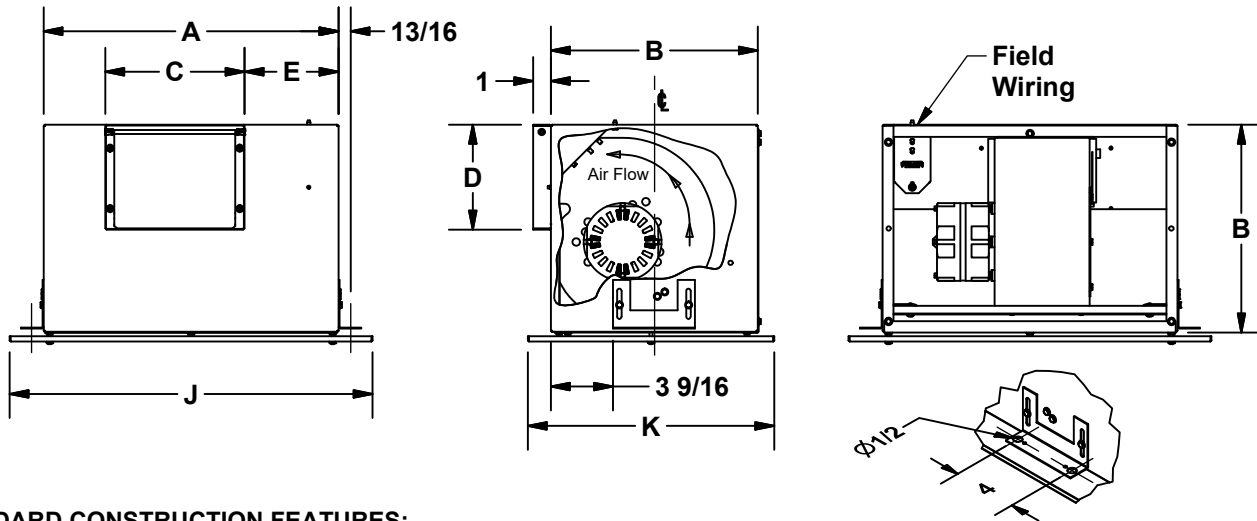
MARK: _____

PROJECT: _____

DATE: _____



Ceiling and Wall Blowers 200 thru 700 Series



STANDARD CONSTRUCTION FEATURES:

Forward curved galvanized steel fan wheels - Corrosion resistant galvanized steel fan housing - Acoustically insulated housing - Aluminum backdraft damper with solid aluminum hinge rod mounted in nylon bushings - Permanently lubricated motor with built-in thermal overload protection and disconnect plug - Interchangeable panels with removable fasteners allows the discharge to be easily changed - Internal wiring box with disconnect receptacle - Powder-painted white steel grille - Plastic grill standard on sizes 222, 242, 322 and 342. *Models 222 & 242 are the only models qualified for Energy Star.

MOUNTING BRACKET
DETAIL

ACCESSORIES

- | | |
|----------------------------|--|
| 1. FAN SPEED CONTROL (FSC) | 9. CEILING RADIATION DAMPER |
| 2. ROOF JACK | 10. HANGING VIBRATION ISOLATOR |
| 3. ROOF CAP | 11. TIME DELAY SWITCH |
| 4. WALL CAP | 12. 277 VOLT TRANSFORMER |
| 5. EAVE ELBOW (322-740) | 13. 8" ROUND WALL CAP
W/ DAMPER (222-522) |
| 6. DELUXE ALUMINUM GRILLE | 14. 6" & 8" ROUND DUCT
ADAPTOR (222-522) |
| 7. FILTER | 15. ROOF CURB |
| 8. BRICK VENT | |

DIMENSION DATA

Fan Size GC-	DIM A	DIM B	DIM C	DIM D	DIM E	Steel Grille Dim J	Steel Grille Dim K	Deluxe Alum Grille Dim J	Deluxe Alum Grille Dim K	Plastic Grille Dim J	Plastic Grille Dim K	Ship Wt.
222, 242 *	12 3/8	9 3/4	6	4 1/2	3 3/4	16 3/8	13 5/8	14 1/4	11 1/4	15 1/2	13 1/4	22
322, 342	12 3/8	10 3/4	8	6	2 13/16	16 3/8	13 5/8	14 1/4	12 1/4	15 1/2	13 1/4	25
422	17	11 7/8	8	6	5 7/16	21	14 1/4	18 3/4	13 3/4	-	-	30
522, 542	17	11 7/8	8	6	5 7/16	21	14 1/4	18 3/4	13 3/4	-	-	32
622, 642	17	11 7/8	10 1/2	4 3/4	4 3/16	21	14 1/4	18 3/4	13 3/4	-	-	35
720, 740	17	11 7/8	10 1/2	4 3/4	4 3/16	21	14 1/4	18 3/4	13 3/4	-	-	36

ALL DIMENSIONS IN INCHES. WEIGHTS IN LBS.

QTY	MARK	CATALOG NUMBER (see above)	FAN INFORMATION			MOTOR INFORMATION					ACCESSORIES	
			CFM	SP	RPM	HP	VOLTS	HZ	PH	TYPE		

MOTOR TYPE: PSC (Permanent Split Capacitor)