

SQN

Larger fans,
Broader offering

SQN OFFERING *Expanded!*



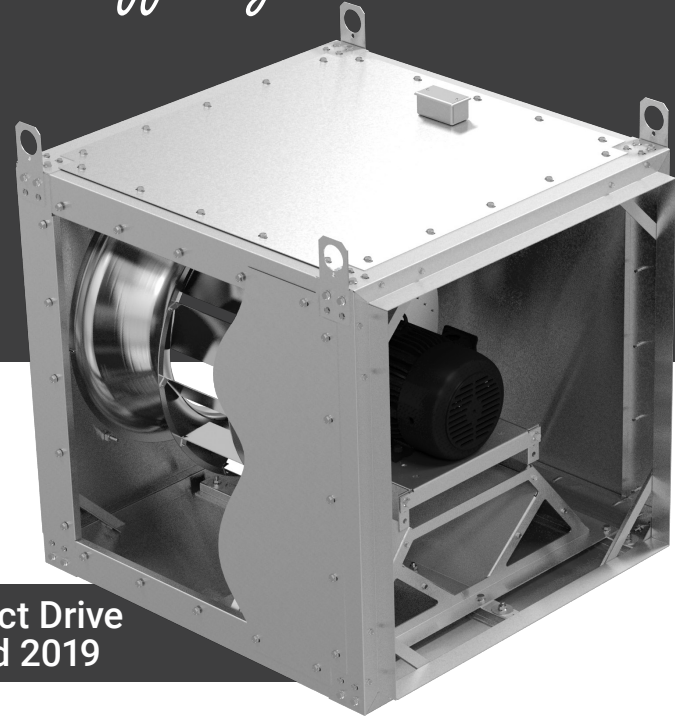
Largest square inline centrifugal offering in the industry!

Loren Cook Company were the pioneers of inline ventilation design.

- ▶ 1962 - Centri-Vane, The industry's first mixed flow fan.
- ▶ 1987 - SQI, the first square inline centrifugal fan was introduced.
- ▶ 1996 - SQN was introduced setting the benchmark for economy in square inline centrifugal fans.
- ▶ 2019 - Cook has changed the landscape again with the expansion of their SQN Direct Drive line to create the largest direct drive offering of centrifugal inline fans on the market.
 - ▶ 9 additional sizes with wheels up to 36.5" diameter.
 - ▶ Three wheel types to suit your performance needs. Standard Pressure, High Pressure, and Extended Pressure wheels.

SQN is now available with standard AC, EC and PM motors.

EC and PM motors are compatible with our full line of Vari-Flow controls for added controllability and efficiency.



**SQN Direct Drive
Expanded 2019**



**First Generation SQN
Introduced 1996**



**First Generation SQI
Introduced 1987**

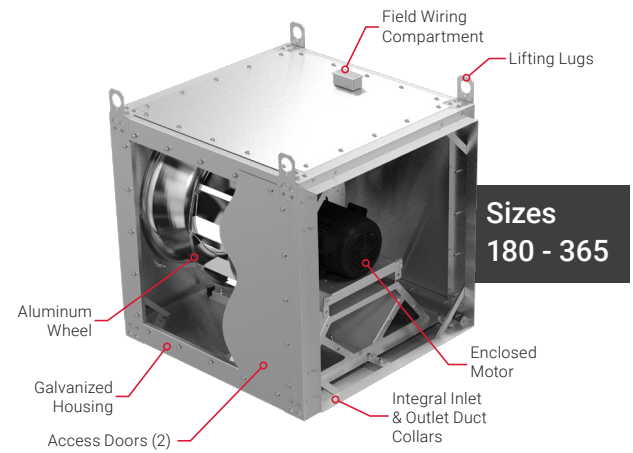
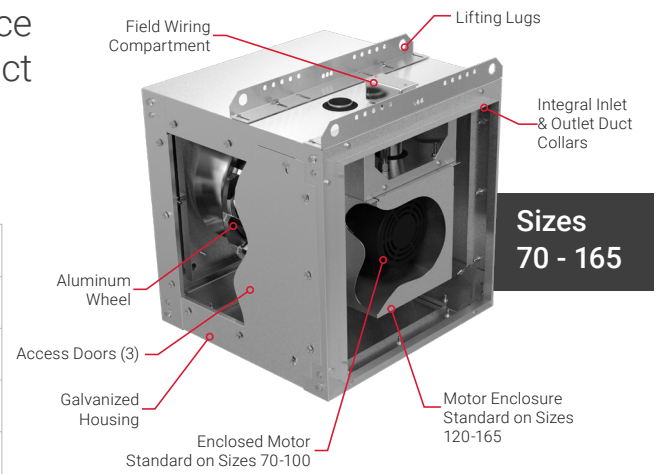
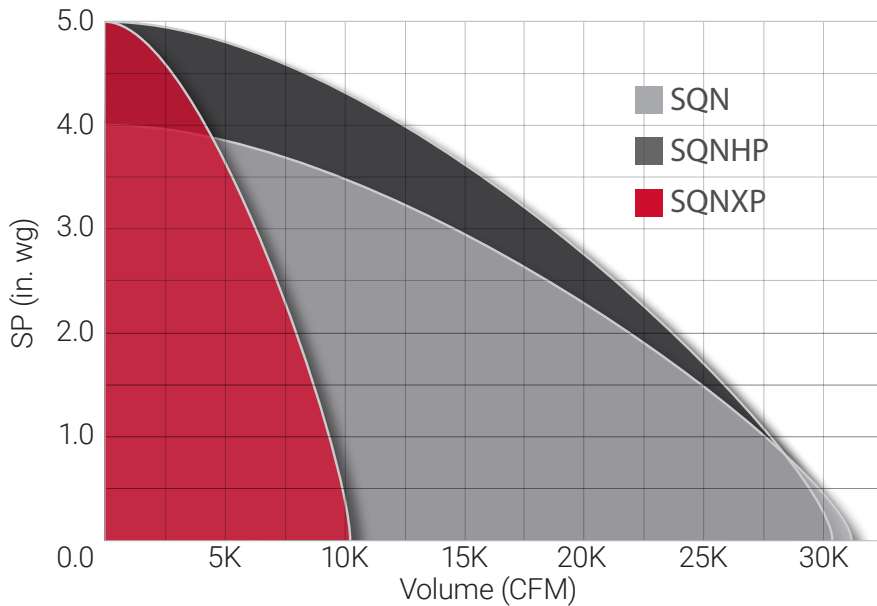


**Centri-Vane
Introduced 1962**



Contact your **Cook** representative or visit lorencook.com for more info!

Supply, exhaust or return fan application with performance now up to 30,000 CFM and up to 5" SP in a compact square design, SQN direct drive is an ideal choice.



CONTROLS

Compatible with Vari-Flow Controls for superior part-load efficiency and demand-based controllability.



2 Speed Controller



Air Balance Kit



Universal Controller
Temp/RH/VOC/CO₂



Remote Speed Controller



Pressure Controller