



COOK

CPSLE

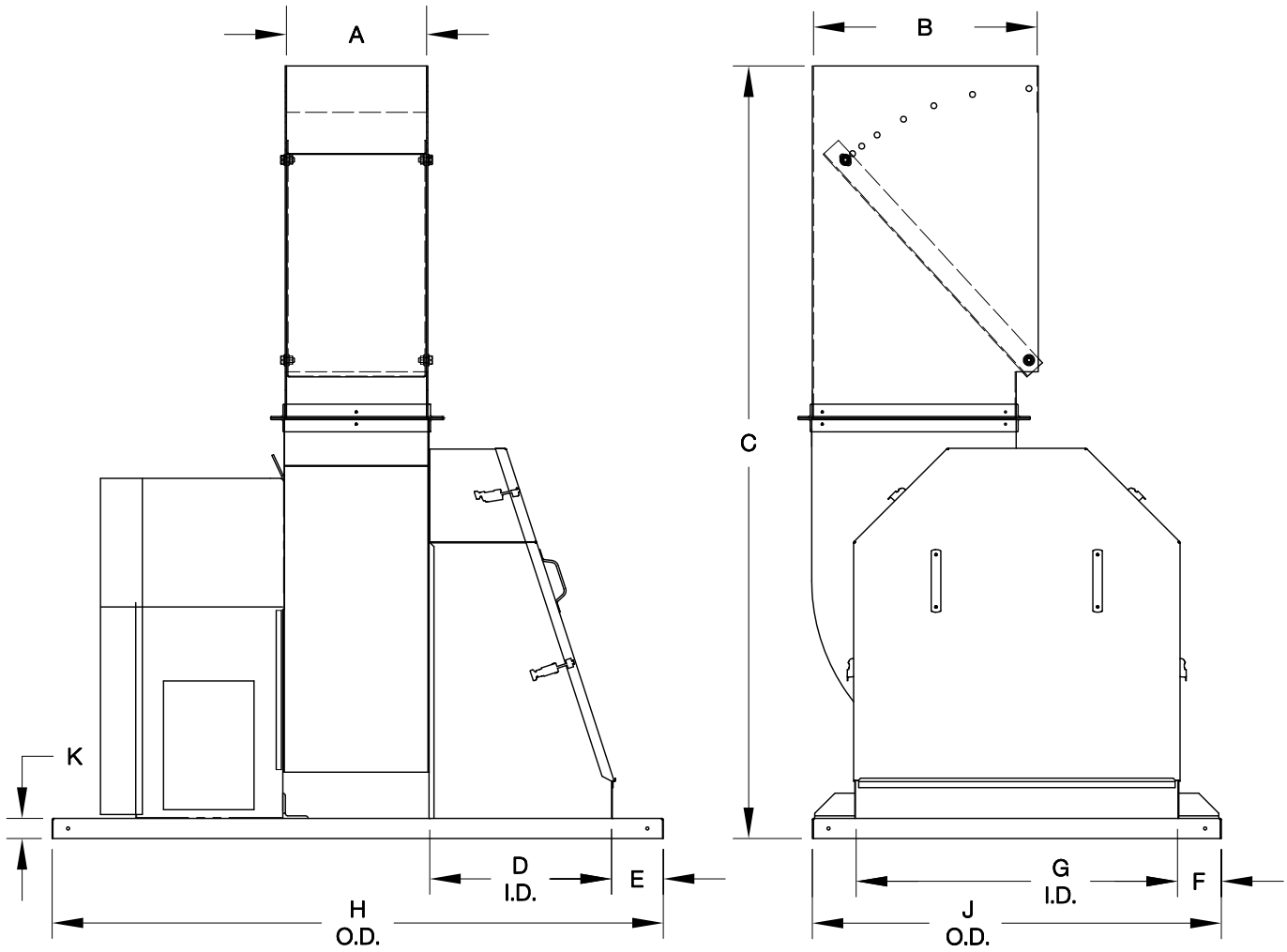
DATE: _____

PROJECT: _____

LOCATION: _____



Lab Exhaust
Flat Blade Centrifugal Blower
Inlet Box & Curb Cap



DIMENSION DATA

SIZE	A	B	C	D	E	F	G	H	J	K	Approx. Ship Wt.
60	7-9/16	12-3/16	51-3/4	12-9/16	4-11/16	4-7/16	22-7/16	47-1/2	31-1/2	2	275
70	7-9/16	12-3/16	51-3/4	12-9/16	4-11/16	4-7/16	22-7/16	47-1/2	31-1/2	2	275
80	7-9/16	12-3/16	51-3/4	12-9/16	4-11/16	4-7/16	22-7/16	47-1/2	31-1/2	2	275
100	7-9/16	12-3/16	51-3/4	12-9/16	4-11/16	4-7/16	22-7/16	47-1/2	31-1/2	2	275
120	9-3/16	14-7/16	56-5/8	12-9/16	4-11/16	4-7/16	22-7/16	48 1/2	31 1/2	2	330
135	10-5/16	16-1/16	60-1/16	13-13/16	4-11/16	4-1/4	24-13/16	53-1/2	33-1/2	2	383
150	11-7/16	17-3/4	64-1/16	15-3/16	4-11/16	4-9/16	27-3/16	55-1/2	36-1/2	2	435
165	12-5/8	19-3/8	68-3/8	16-7/16	4-11/16	4-7/16	29-7/16	58-1/2	38-1/2	2	505
180	13-3/4	21	73-5/8	17-13/16	4-11/16	4-1/4	31-13/16	60-1/2	40-1/2	2	590
195	14-15/16	22-5/8	77-3/4	19-3/16	4-11/16	4-9/16	34-3/16	66-1/2	43-1/2	2	660
210	16-1/16	24-5/16	84-1/16	20-13/16	4-11/16	4-15/16	37-7/16	69-1/2	47-1/2	2	730
225	17-3/16	25-15/16	89	22-5/16	4-11/16	4-11/16	39-15/16	72-1/2	49-1/2	2	800
245	18-3/4	28-1/8	94-9/16	23-13/16	4-11/16	4-1/2	42-5/16	75-1/2	51-1/2	2	920

ALL DIMENSIONS IN INCHES. WEIGHTS IN LBS., LESS MOTOR

VS500R00