



# COOK

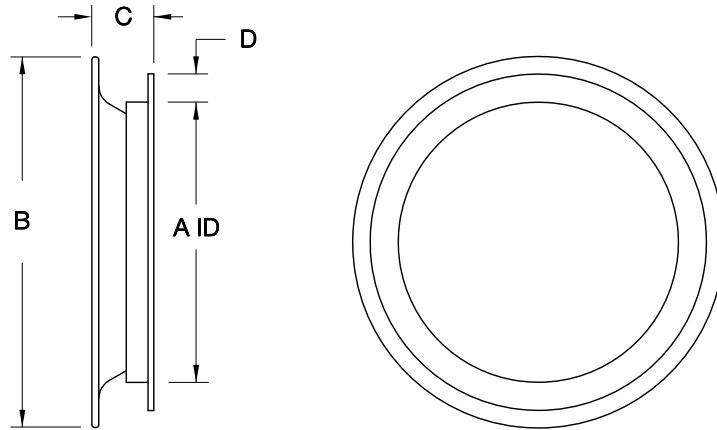
# INLET BELL

DATE: \_\_\_\_\_

PROJECT: \_\_\_\_\_

LOCATION: \_\_\_\_\_

Accessory Data Sheet  
TIB, TID, ADD, ADB, EDD, EDB



### DIMENSION DATA

Size	A	B	C	D	Ship Wt.
12	12-11/16	17	3	1-1/2	2-1/2
16	16-11/16	22	3-1/2	1-1/2	3-1/2
20	20-13/16	24	4	1-1/2	4-1/4
24	24-5/8	30	4-1/2	1-1/2	5-1/2
30	30-5/8	36	4-1/2	1-1/2	6-3/4
36	36-5/8	42	4-1/2	1-1/2	8-1/2
42	42-5/8	48	4-1/2	1-1/2	10
48	48-5/8	54	5	2	13-1/2
54	54-3/4	60	5	2	15
60	60-3/4	66	5	2	16-1/2

ALL DIMENSIONS IN INCHES. WEIGHT IN LBS.

