

DATE: _____

PROJECT: _____

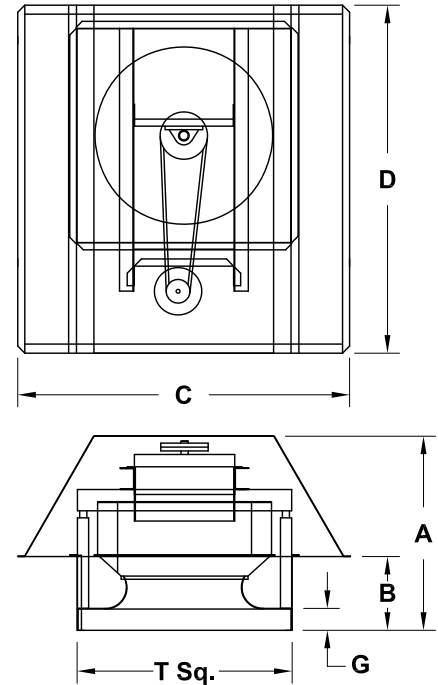
LOCATION: _____



Hooded Low-Contour Downblast Centrifugal Exhaust Ventilator Roof Mounted/Belt Drive


DIMENSION DATA

Size	A	B	C	D	G	T Sq.	Ship Wt.	Roof Opening Sq.*
100	17-1/2	5-1/4	31-1/4	34-1/8	2	18	70	13-1/2
120	21-5/8	5-7/8	34-3/4	35-1/8	2	20	170	15-1/2
135	21-7/8	5-7/8	34-3/4	35-1/8	2	20	170	15-1/2
150	23-1/4	7-3/8	40-1/8	42-1/8	2	24	195	19-1/2
165	23-3/8	7-3/8	40-1/8	42-1/8	2	24	195	19-1/2
180	26-1/4	8-1/4	43-7/8	47-1/8	3	30	225	25-1/2
195	27	9-1/4	43-7/8	47-1/8	3	30	225	25-1/2
210	28-1/4	9-1/4	46-5/8	49-1/8	3	30	260	25-1/2
225	29	10	46-5/8	49-1/8	3	30	265	25-1/2
245	29-5/8	10-5/8	46-5/8	49-1/8	3	30	275	25-1/2
270	32-1/4	11	58-1/8	58-1/8	3	36	365	31-1/2
300	33-3/8	12-1/8	58-1/8	58-1/8	3	36	375	31-1/2
330	35-3/8	13-1/8	65	65	3	42	435	37-1/2
365	36-1/4	14	65	65	3	42	450	37-1/2
402	43-1/2	14-1/4	82-7/8	78-1/8	3	48	540	43-1/2
445	44-3/4	16-1/2	82-7/8	78-1/8	3	54	600	49-1/2
490	46-1/4	18	82-7/8	78-1/8	3	54	625	49-1/2
540	45-7/8	13-5/8	96	98	3	66	750	61-1/2


 ALL DIMENSIONS IN INCHES. WEIGHTS IN LBS., LESS MOTOR.
 * ROOF OPENING SIZE FOR CURBS SUPPLIED BY COOK ONLY.

STANDARD CONSTRUCTION FEATURES:

 All aluminum housing - Backward inclined all aluminum wheel -
 Welded curb cap corners - Hinged access hood (sizes 100-245) -
 Removable access hood (sizes 270-540) - Birdscreen - Vibration
 isolators - Permanently lubricated ball bearing motors - Static resistant
 belts - Adjustable pitch drives through 5 hp motor - Corrosion resistant
 fasteners - Regreasable bearings in cast housing rated at 200,000 hours
 average life - All fans factory adjusted to specified fan RPM.

ACCESSORIES

1. DISCONNECT SWITCH
2. GRAVITY BACKDRAFT DAMPER
3. MOTORIZED BACKDRAFT DAMPER
4. RCG GALVANIZED CURB
5. RCA ALUMINUM CURB
6. EPOXY COATING
7. ANTI-CONDENSATE COATING
8. LESS BIRDSCREEN
9. SPECIAL

QTY	MARK	CATALOG NUMBER	FAN INFORMATION			MOTOR INFORMATION					ACCESSORIES							
			CFM	SP	RPM	HP	VOLTS	HZ	PH	TYPE								

LARGEST MOTOR SHIPPED MOUNTED: ODP (OPEN DRIP-PROOF) 5 HP; **2 SP** (2 SPEED) 2 HP;
X-PRF (EXPLOSION PROOF) 2 HP; **TEFC** (TOTALLY ENCLOSED FAN COOLED) 2 HP.