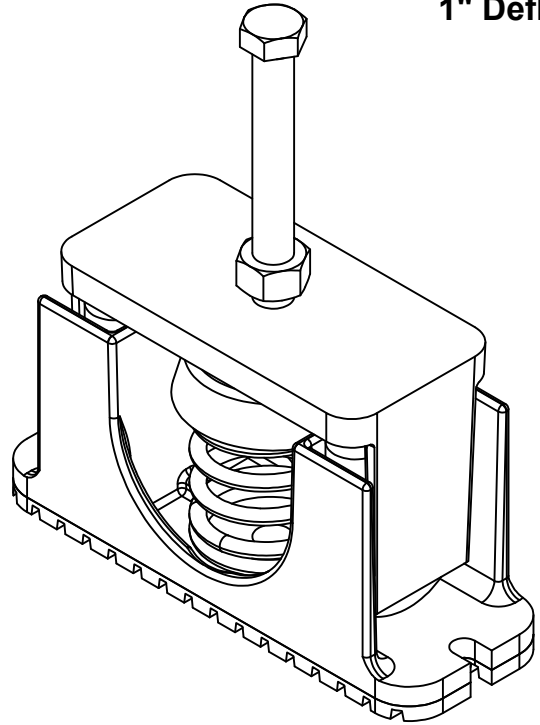
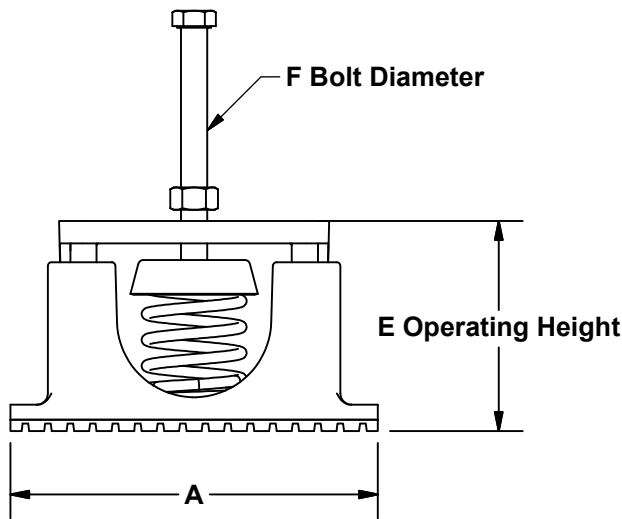
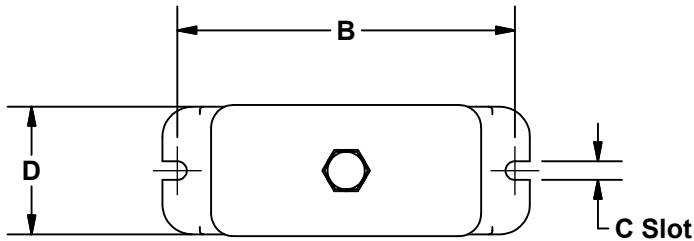


MARK: _____
 PROJECT: _____
 DATE: _____

**Housing Spring
 Spring Isolator
 Floor Mounted
 1" Deflection**



DIMENSION DATA

LC Model	Mfg.	Mfg. Model	Rated Deflect	Rated Load	Spring Rate (lbs/in)	A	B	C	D	E	F	Unit Wt.
HF-120	VMC	ZA-124	1.00	173	173	5 5/8	5 1/8	3/8	2 1/4	4	3/8	2
HF-220	VMC	ZA-125	1.00	246	246	5 5/8	5 1/8	3/8	2 1/4	4	3/8	2
HF-320	VMC	ZA-127	1.15	560	487	5 5/8	5 1/8	3/8	2 1/4	4	3/8	2
HF-370	VMC	ZA-127	1.15	560	487	5 5/8	5 1/8	3/8	2 1/4	4	3/8	2
HF-500	KNC	SL-500A	1.00	500	500	6 1/8	5 5/8	5/16	2 1/8	3 1/2	3/8	2
HF-700	KNC	SL-700A	1.00	700	700	6 1/8	5 5/8	5/16	2 1/8	3 1/2	3/8	2
HF-800	VMC	AA-1-112	1.00	800	800	7 1/2	6 1/2	5/8	2 7/8	5 1/2	1/2	12
HF-1000	VMC	AA-1-111-113	1.00	1000	1000	7 1/2	6 1/2	5/8	2 7/8	5 1/2	1/2	12
HF-1250	VMC	AA-1-112-113	1.00	1250	1250	7 1/2	6 1/2	5/8	2 7/8	5 1/2	1/2	12
HF-1700	KNC	SL-1700C	.95	1700	1789	9	8	7/16	3 1/2	5	5/8	12
HF-2200	KNC	SL-2200C	1.00	2200	2200	9	8	7/16	3 1/2	5	5/8	13
HF-3500	KNC	SL-3500C	1.00	3500	3500	9	8	7/16	3 1/2	5	5/8	13

ALL DIMENSIONS IN INCHES. WEIGHTS IN LBS.
 ALL ISOLATORS LISTED ARE DESIGNED TO PROVIDE A MINIMUM OF 50% OVERLOAD CAPACITY.