



COOK

QMXLE/QMXHPLE

Laboratory Exhaust
Mixed-Flow Inline
Belt Drive

MARK: _____

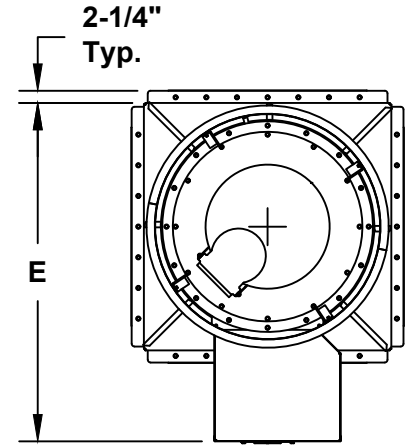
PROJECT: _____

DATE: _____



DIMENSION DATA

Size	A	B	C	D	E	F	Unit Weight	
							STD	HP
90	120	28	27 3/16	21 3/8	36 11/16	3	346	351
120	120	28	27 3/16	25 5/8	40 7/16	3	430	432
135	120	28	27 1/8	27 3/4	41 5/8	3	552	554
150	120	30	29 1/8	29 9/16	44 1/8	3	550	551
165	120	32	31 1/8	31 11/16	45 1/2	3	642	654
180	120	34	33 1/8	34 1/16	48	3	780	790
202	120	38	36 15/16	37 15/16	51 7/8	3	924	936
225	120	42	40 15/16	41 1/8	58	3	1036	1066
245	120	44	42 15/16	43 7/16	60 5/8	3	1183	1205
270	120	48	46 15/16	47	64 5/8	3	1332	1348
300	123 11/16	52	50 15/16	51 3/16	69 7/16	3	1491	1511
330	135 1/8	56	54 13/16	55 15/16	75 15/16	3	1834	1860
365	146 1/2	62	60 3/4	61 15/16	81 5/8	3	2569	2625
402	159 1/16	67	65 5/8	67 1/8	89 5/16	3	3100	3158
445	175 7/16	74	72 5/8	73 1/4	96 1/8	3	3626	3676
490	188	80	78 1/2	79 9/16	104 1/16	4	5821	5895



ALL DIMENSIONS IN INCHES, WEIGHTS IN LBS LESS MOTOR

* RECOMMENDED CURB OUTSIDE SQUARE DIMENSION.

** CURB CAP INSIDE SQUARE DIMENSION.

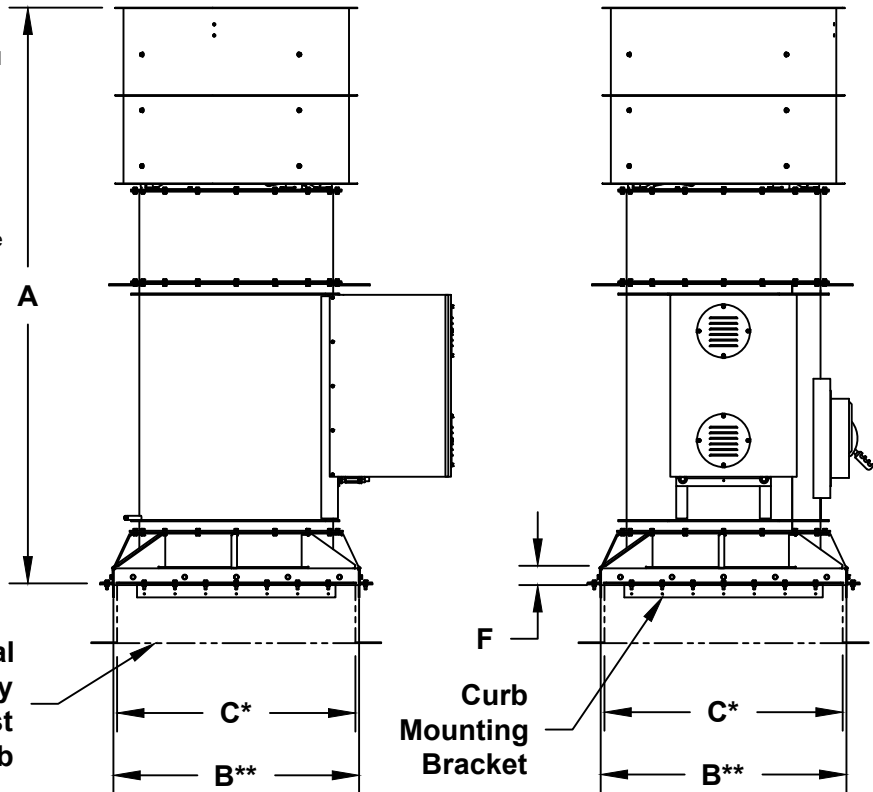
*** DIMENSION IS FROM THE BOTTOM OF THE CURB CAP TO THE TOP OF THE CURB.

STANDARD CONSTRUCTION FEATURES:

High efficiency, non-overloading mixed-flow welded wheel - Minimum 14 gauge steel welded housing - Welded aerodynamic straightening vanes - Hinged Discharge Damper - Phenolic epoxy powder with UV protection (Light Gray) - L10/40k Concentric locking regreasable bearings - Bolted access door - Lifting lugs - Fan drain - Weather cover - Reinforced curb cap - Inlet duct collar - Stainless Steel shaft - Stainless Steel hardware - Stainless Steel extended lube lines - NEMA 3R disconnect mounted and pre-wired - 1.5 Service factor drives - Designed to withstand 125 mph wind****

OPTIONAL FEATURES SHOWN:

Heavy Duty Lab Exhaust Curb



NOT INTENDED TO BE SUPPORTED BY TRADITIONAL SHEETMETAL ROOF CURB, BUT BY INTEGRAL MEMBERS OF ROOF STRUCTURE.

**** WINDLOAD RATING DEPENDANT ON ADEQUATE ATTACHMENT TO ROOF STRUCTURE.

Optional Heavy Duty Lab Exhaust Curb

Curb Mounting Bracket