

CAC

Cook Air Circulators | Product Guide |



COOK

INTRODUCTION



DESIGNED FOR

Circulating air to prevent air stagnation



SAFETY

Standard with OSHA guard protection



PERFORMANCE RANGE

Consult Cook's selection software for accurate selection



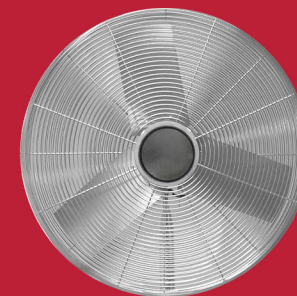
OFFERED IN

8 different design options

*Except for CAC-IPHWD

EXTRA BENEFITS

- > ETL listing for US and Canada is standard on all CAC models*
- > All CAC have corrosion resistant housings
- > Most models available with multiple mounting installation options



Cook's Air Circulators provide welcomed currents of circulated air in durability and reliability design

CAC-ACH FEATURES

Propeller with steel hub and aluminum blades

OSHA approved safety grille guard

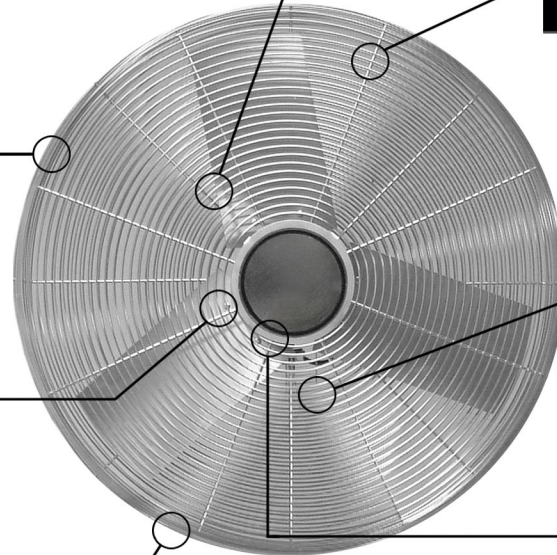
Available in 24 and 30 inch

12-foot power cord

Fully assembled non-oscillating circulator fan head

Totally enclosed 120-volt, PSC motor with permanently lubricated ball bearings and pull chain switch

Multiple mounting options available



ETL-C/US Listed

CAC-ACH DIMENSION | VELOCITY DATA

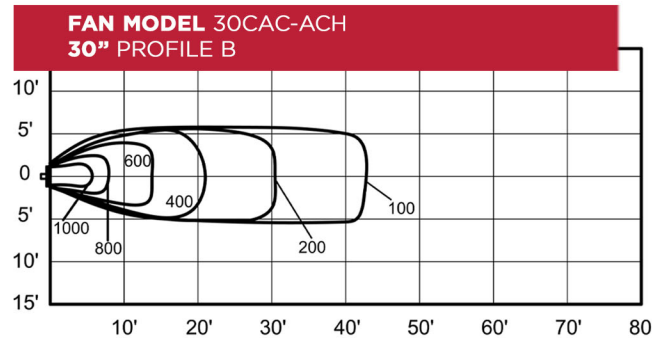
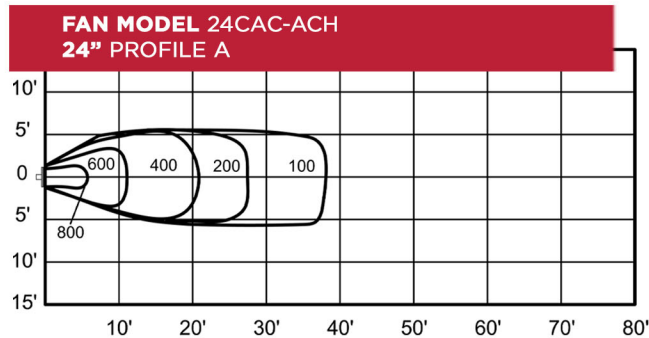
PERFORMANCE DATA

*Fan only. Please see page 19 for mounting options

CATALOG NUMBER	PROP. DIA	HP	RPM	CFM (HIGH/LOW)	AMPS	SOUND DB	VELOCITY PROFILE
24CAC-ACH	24"	1/4	1100/800	3800/3400	2.5	67	A
30CAC-ACH	30"	1/4	1100/800	4300/3800	2.7	66	B

DIMENSION DATA

CATALOG NUMBER	PROP. DIA	HEIGHT	WIDTH	DEPTH	SHIP WT. (LBS)
24CAC-ACH	24"	27"	27"	14-1/2"	40
30CAC-ACH	30"	33-1/2"	33-1/2"	14-1/2"	44



CAC-ACHO FEATURES

Propeller with steel hub and aluminum blades

Available in 24 and 30 inch

Fully assembled oscillating circulator fan head

Multiple mounting options available

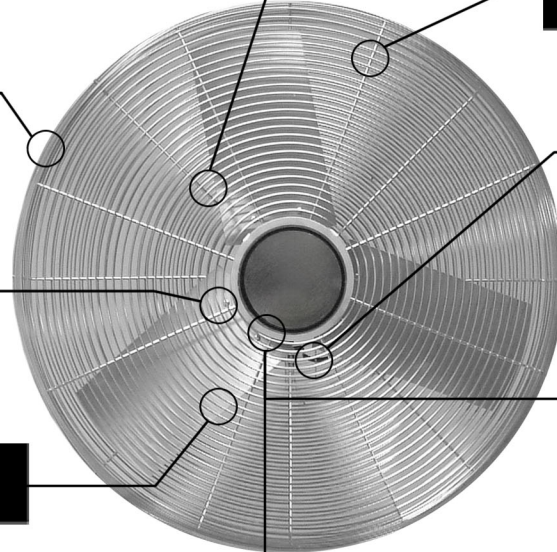
Either fixed position or 90° oscillating arc

OSHA approved safety grille guard

12-foot power cord

Totally enclosed 120-volt PSC motor with permanently lubricated ball bearings and pull chain switch

Metal gears allow the unit to operate at a maximum of 30° downwind tilt



ETL-C/US Listed

CAC-ACHO DIMENSION | VELOCITY DATA

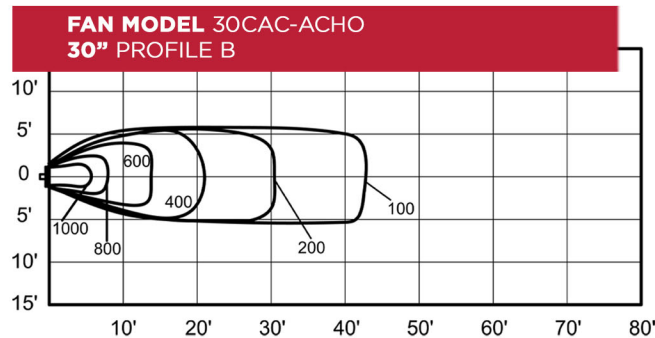
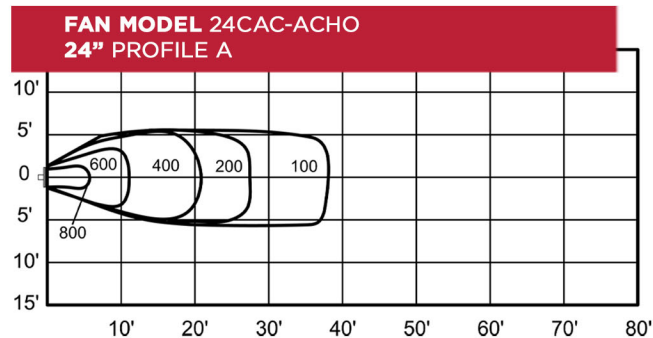
PERFORMANCE DATA

*Fan only. Please see page 19 for mounting options

CATALOG NUMBER	PROP. DIA	HP	RPM	CFM (HIGH/LOW)	AMPS	SOUND DB	VELOCITY PROFILE
24CAC-ACHO	24"	1/4	1100/900/750	3800/3400/2700	2.5	67	A
30CAC-ACHO	30"	1/4	1100/900/750	4300/3800/3000	2.7	66	B

DIMENSION DATA

CATALOG NUMBER	PROP. DIA	HEIGHT	WIDTH	DEPTH	SHIP WT. (LBS)
24CAC-ACHO	24"	27"	27"	14-1/2"	44
30CAC-ACHO	30"	33-1/2"	33-1/2"	14-1/2"	48



CAC-IHPWD FEATURES

Propeller with steel hub and aluminum blades

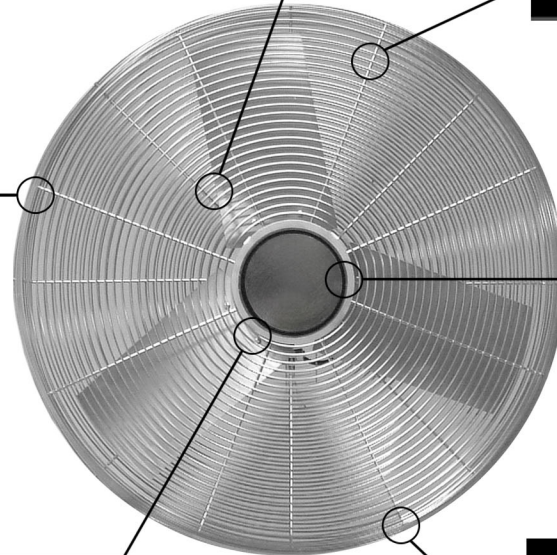
Heavy zinc coated OSHA approved safety grille guard

Available in 20, 24, and 30 inch

Totally enclosed washdown rated motor with permanently lubricated ball bearings. Available in 120 or 240-volt

Fully assembled non-oscillating circulator fan head

Multiple mounting options available



CAC-IHPWD DIMENSION | VELOCITY DATA

PERFORMANCE DATA

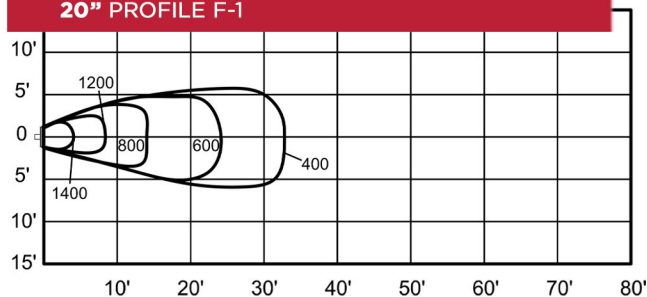
*Fan only. Please see page 19 for mounting options

CATALOG NUMBER	PROP. DIA	HP	RPM	CFM	AMPS (120v or 240v)	SOUND DB	VOLTS	VELOCITY PROFILE
20CAC-IHPWD	20"	1/3	1725	3200	3.0/1.5	75	120v or 240v	F-1
24CAC-IHPWD	24"	1/3	1725	4300	3.0/1.5	77	120v or 240v	A-1
30CAC-IHPWD	30"	1/3	1725	5400	3.0/1.5	76	120v or 240v	B-1

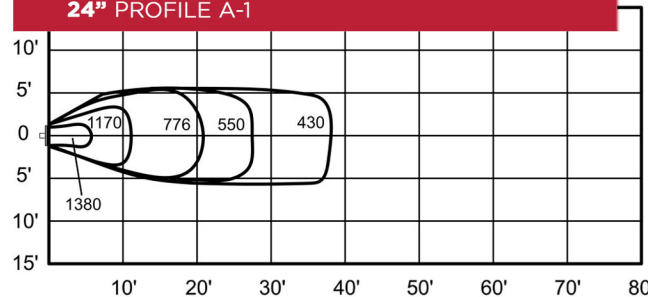
DIMENSION DATA

CATALOG NUMBER	PROP. DIA	HEIGHT	WIDTH	DEPTH	SHIP WT. (LBS)
20CAC-IHPWD	20"	22"	22"	14"	46
24CAC-IHPWD	24"	27"	27"	14"	48
30CAC-IHPWD	30"	33-1/2"	33-1/2"	14"	52

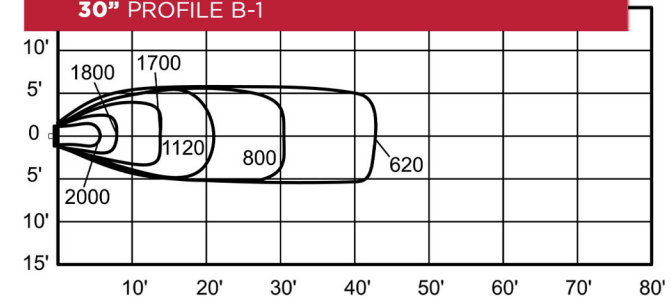
FAN MODEL 20CAC-IHPWD
20" PROFILE F-1



FAN MODEL 24CAC-IHPWD
24" PROFILE A-1



FAN MODEL 30CAC-IHPWD
30" PROFILE B-1



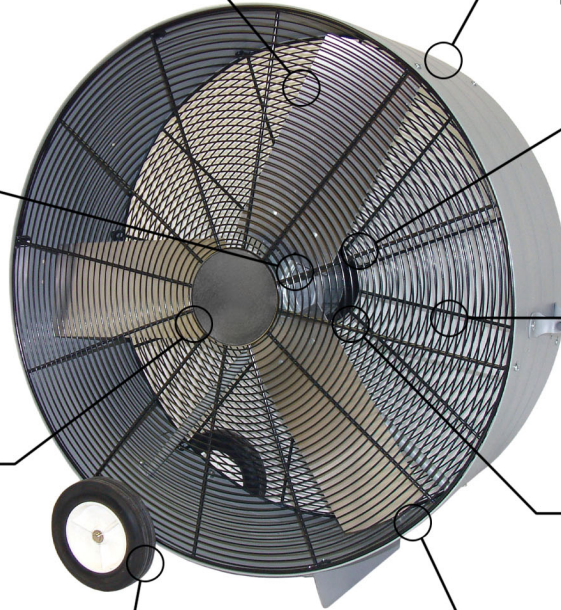
CAC-PBD FEATURES

Propeller with aluminum blades

120-volt PSC motor with permanently lubricated ball bearings

Portable direct drive blower

Size 36 are 8" durable wheels
Size 42 are 10" durable wheels



Dent and corrosion resistant high density polyethylene housing

Rocker style power switch

OSHA approved front and rear safety grille guard

12-foot power cord

Available in 36 and 42 inch

ETL-C/US Listed

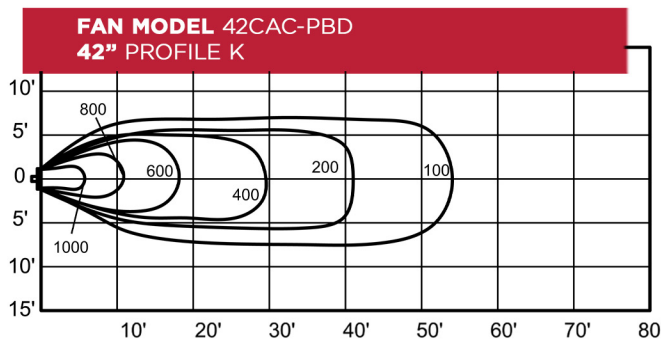
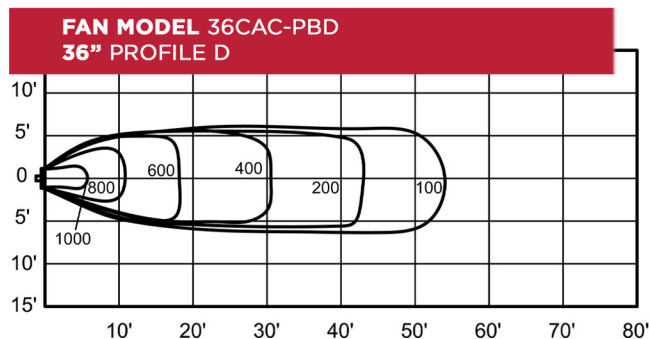
CAC-PBD DIMENSION | VELOCITY DATA

PERFORMANCE DATA

CATALOG NUMBER	PROP. DIA	MOTOR HP	RPM	CFM (HIGH/LOW)	AMPS	SOUND DB	VELOCITY PROFILE
36CAC-PBD	36"	1/3	1040/950	6500/5400	5.5	79	D
42CAC-PBD	42"	1/2	825	9000	7.9	77	K

DIMENSION DATA

CATALOG NUMBER	PROP. DIA	HEIGHT	WIDTH	DEPTH	SHIP WT. (LBS)
36CAC-PBD	36"	37-3/4"	36-5/16"	18-1/2"	82
42CAC-PBD	42"	43-3/4"	42-5/16"	18-1/2"	102



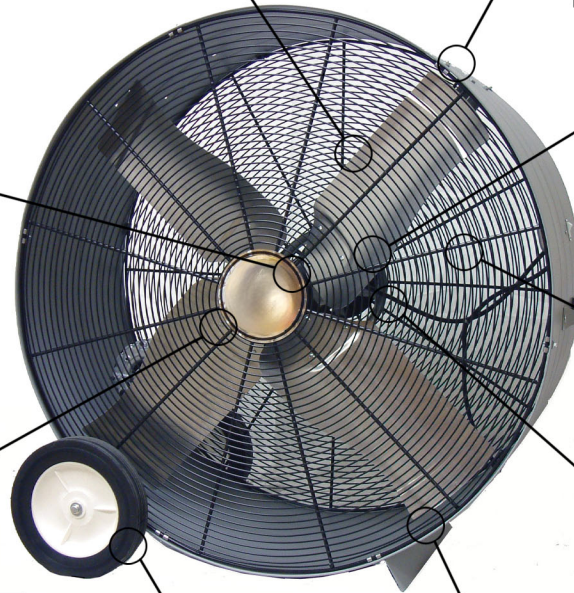
CAC-PBB FEATURES

Size 36 with aluminum blades
Size 42/48 with steel blades

120-volt motor with
permanently lubricated ball
bearings

Portable belt drive blower

Size 36 are 8" durable wheels
Size 42/48 are 10" durable wheels



Dent and corrosion-resistant high
density polyethylene housing

Rocker-style power switch

OSHA approved front and rear
safety grille guard

12-foot power cord

Available in 36, 42, and 48 inch

ETL-C/US Listed

CAC-PBB DIMENSION | VELOCITY DATA

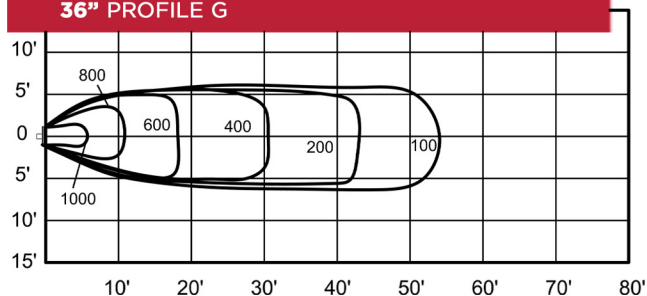
PERFORMANCE DATA

CATALOG NUMBER	PROP. DIA	HP	RPM	CFM	AMPS	SOUND DB	VELOCITY PROFILE
36CAC-PBB	36"	1/2	500	6900	8.0	69	G
42CAC-PBB	42"	3/4	430	10600	11.0	70	H
48CAC-PBB	48"	1	390	14400	15.0	69	J

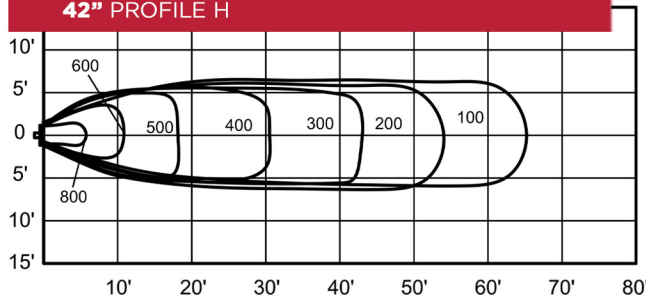
DIMENSION DATA

CATALOG NUMBER	PROP. DIA	HEIGHT	WIDTH	DEPTH	SHIP WT. (LBS)
36CAC-PBB	36"	37-3/4"	36-5/16"	22-1/4"	120
42CAC-PBB	42"	43-3/4"	42-5/16"	24-1/4"	135
48CAC-PBB	48"	49-3/4"	48-5/16"	24-1/4"	155

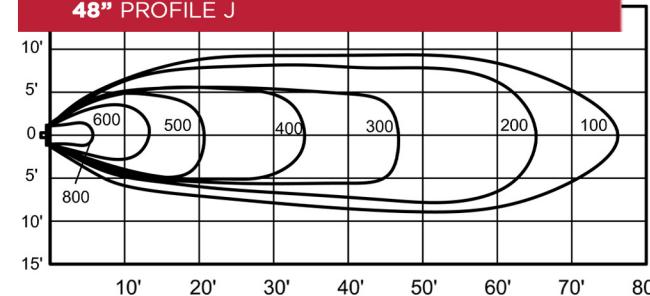
FAN MODEL 36CAC-PBB
36" PROFILE G



FAN MODEL 42CAC-PBB
42" PROFILE H



FAN MODEL 48CAC-PBB
48" PROFILE J



CAC-MBDY (MINI) FEATURES

Optional wall mount available

120-volt, 2-speed, PCS motor with permanently lubricated ball bearings and rocker-style power switch

Aluminum propeller

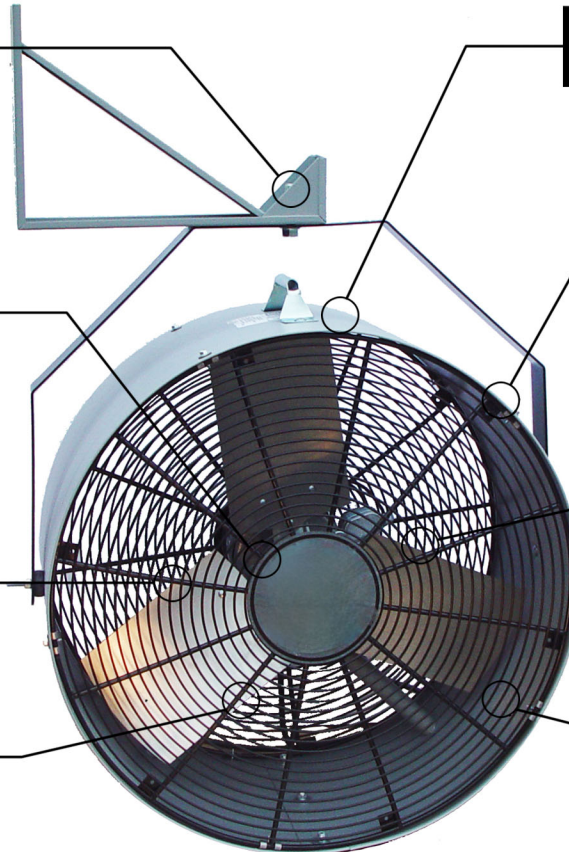
Mini-Blower Air Circular

High-density polyethylene housing

Available in 24 and 30 inch

10-foot power cord

OSHA approved front and rear safety grille guard



ETL-C/US Listed

CAC-MBDY DIMENSION | VELOCITY DATA

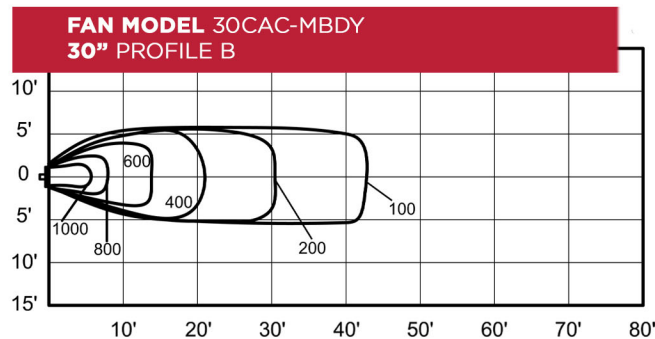
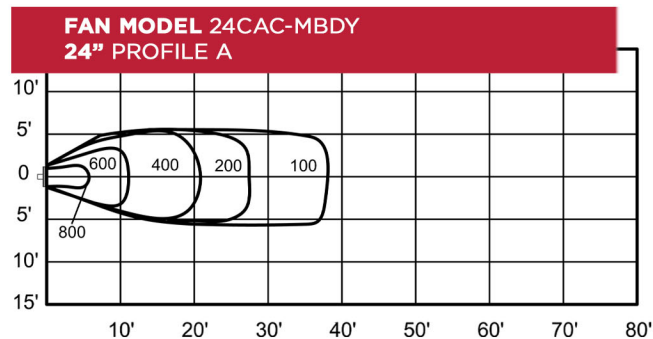
PERFORMANCE DATA

*Fan only. Please see page 19 for mounting options

CATALOG NUMBER	PROP. DIA	MOTOR HP	RPM	CFM (HIGH/LOW)	AMPS	SOUND DB	VELOCITY PROFILE
24CAC-MBDY	24"	1/4	1140/1070	3300/2900	1.8	72	A
30CAC-MBDY	30"	1/4	1040/730	4400/3900	2.7	77	B

DIMENSION DATA

CATALOG NUMBER	PROP. DIA	HEIGHT	WIDTH	DEPTH	SHIP WT. (LBS)
24CAC-MBDY	24"	29.5"	28-1/2"	14-1/4"	52
30CAC-MBDY	30"	38.5"	37-1/2"	14.25"	58



CAC-SBD (SUSPENSION) FEATURES

Rocker-style power switch

120-volt PCS motor with permanently lubricated ball bearings

Size 36 with aluminum blades
Size 42 with steel blades

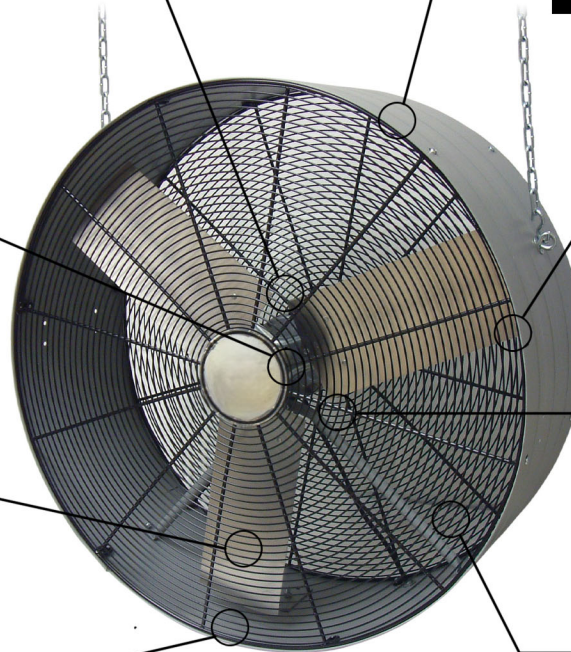
Suspension Air Circular

High-density polyethylene housing

Available in 36 and 42 inch

12-foot power cord

OSHA approved, powder coated, front and rear safety grille guard



ETL-C/US Listed

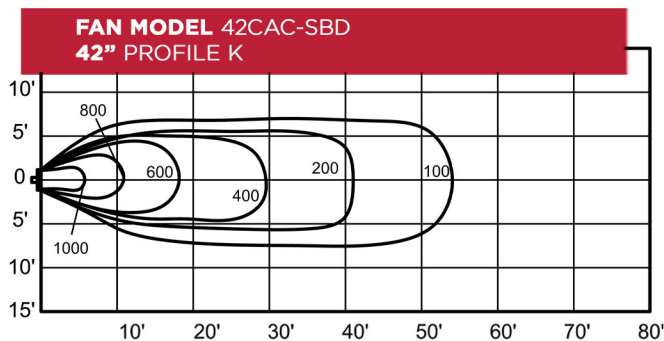
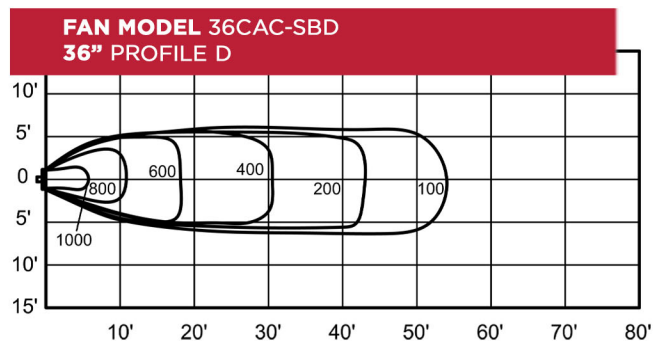
CAC-SBD DIMENSION | VELOCITY DATA

PERFORMANCE DATA

CATALOG NUMBER	PROP. DIA	MOTOR HP	RPM	CFM (HIGH/LOW)	AMPS	SOUND DB	VELOCITY PROFILE
36CAC-SBD	36"	1/3	1050	6500/5400	5.6	79	D
42CAC-SBD	42"	1/2	825	9000	7.9	77	K

DIMENSION DATA

CATALOG NUMBER	PROP. DIA	HEIGHT	WIDTH	DEPTH	SHIP WT. (LBS)
36CAC-SBD	36"	36-5/16"	36-5/16"	13-5/8"	70
42CAC-SBD	42"	42-5/16"	42-5/16"	13-5/8"	99



CAC-UTE (WORK STATION) FEATURES

Mounted Workstation Air Circular

Pull-chain style power switch

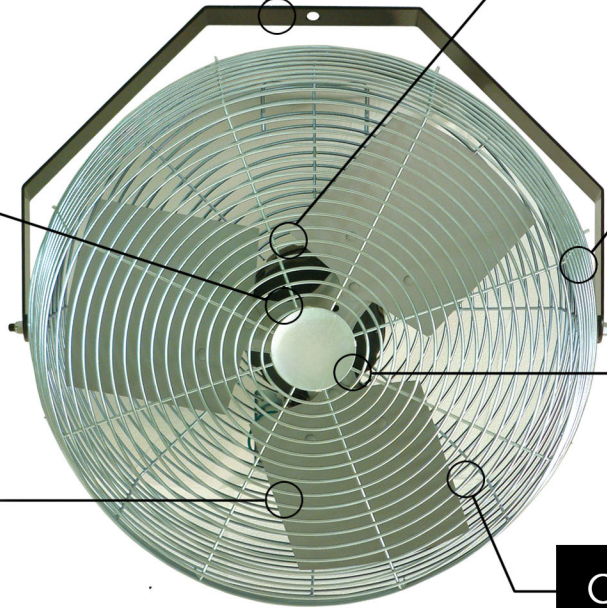
120-volt, 3-speed PCS motor with permanently lubricated sleeve bearing

Available in 18 inch

Aluminum blades and steel hub

10-foot power cord

OSHA approved safety grille guard



ETL-C/US Listed

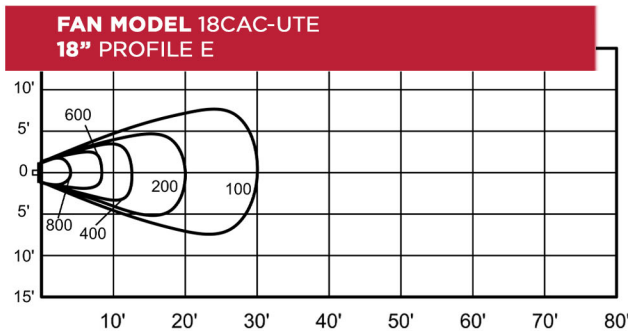
CAC-UTE DIMENSION | VELOCITY DATA

PERFORMANCE DATA

CATALOG NUMBER	PROP. DIA	HP	RPM			CFM	AMPS	SOUND DB	VELOCITY PROFILE
18CAC-UTE	18"	1/8	1660	1550	1370	1800 1500 1300	2.2	65	E

DIMENSION DATA

CATALOG NUMBER	PROP. DIA	HEIGHT	WIDTH	DEPTH	SHIP WT. (LBS)
18CAC-UTE	18"	21-1/2"	20-1/2"	10-1/2"	20



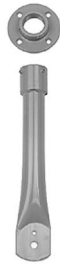
INSTALLATION | MOUNTING



PEDESTAL MOUNT



WALL MOUNT
(SHOWN WITH FAN)



CEILING MOUNT



I-BEAM MOUNT



WALL MOUNT



MINI-BLOWER MOUNT
(OPTIONAL)

>> **CAC-ACH, CAC-ACHO, and CAC-IHPWD** have mounting options. Optional **CAC-MB** wall mount bracket

- > **PEDESTAL MOUNT**
For flexibility, the air circulation can be located anywhere there is floor space and is adjustable center height from 48" to 67"
- > **WALL MOUNT**
Utilized in scenarios where floor space is limited, it securely connects to any sturdy wall structure, allowing for the fixation of the direction of air flow
- > **CEILING MOUNT**
It securely attaches to any rigid ceiling structure, and by field installing a 1/2" or longer pipe nipple (not included), the final installed dimension is set, with the added capability of locking in the direction of air flow
- > **I-BEAM MOUNT**
Suitable for column or ceiling I-beam mounting installations, the final installed dimension is determined by field-installing a 1-1/2 inch or longer component, and the direction of air flow can be securely locked-in

AIR CIRCULATOR CERTIFICATIONS

ETL LISTED

All models of CAC are ETL listed*



*Except for CAC-IPHWD



Cook uses third party agency for certification



(417) 869-6474 | lorencook.com | 2015 E Dale St. Springfield, MO 65803

