

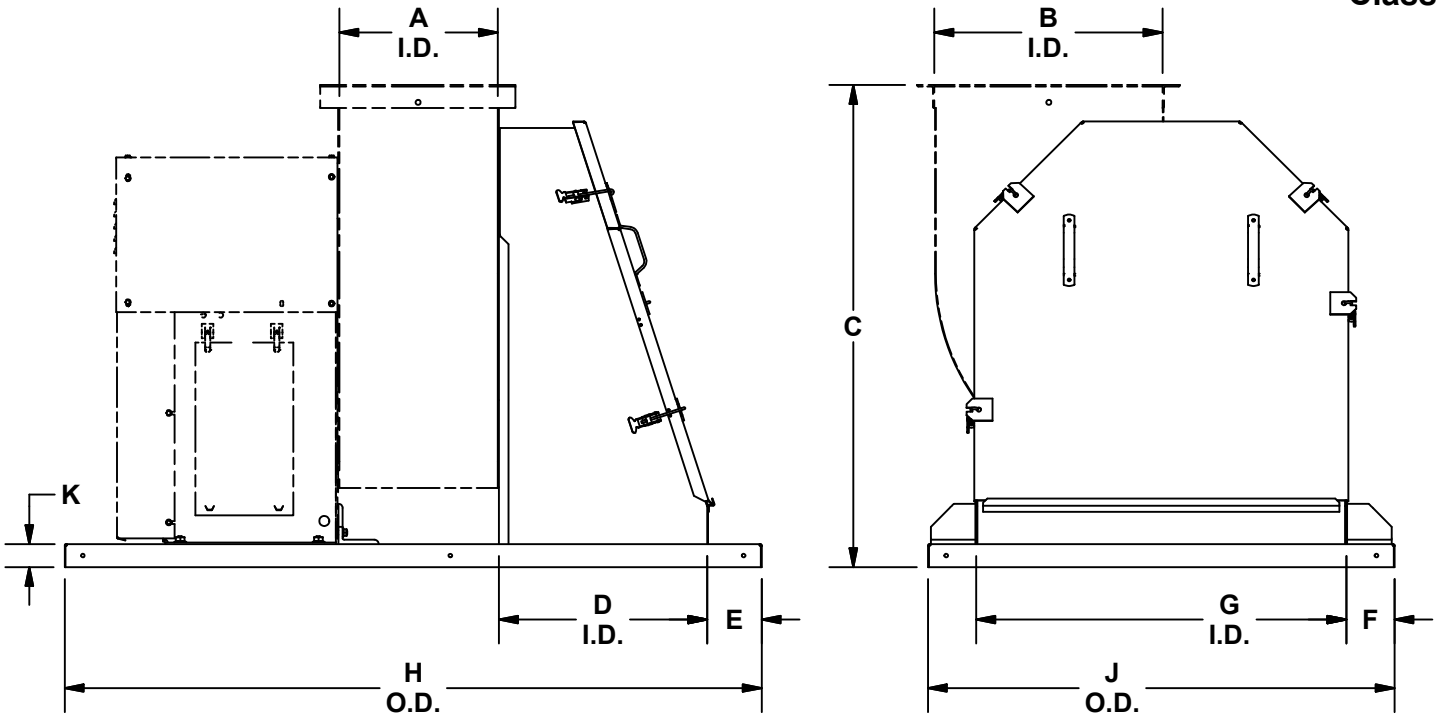


COOK

Curb Cap & Inlet Box

MARK: _____
 PROJECT: _____
 DATE: _____

CP Series
Hurricane / Missile Impact
Resistant
Class I



MIAMI-DADE NOTICE OF ACCEPTANCE
 -TAS-201: Large Missile Impact Test
 -TAS-202: Uniform Static Air Pressure Test
 -TAS-203: Cyclic Wind Pressure Test

Notes:
 Requires Impact Weather Cover

DIMENSION DATA

SIZE	A	B	C	D	E	F	G	H	J	K	Unit Wt.
60	7-9/16	10-15/16	32-3/4	12-9/16	4-11/16	4-7/16	22-7/16	47-1/2	31-1/2	2	85
70	7-9/16	10-15/16	32-3/4	12-9/16	4-11/16	4-7/16	22-7/16	47-1/2	31-1/2	2	85
80	7-9/16	10-15/16	32-3/4	12-9/16	4-11/16	4-7/16	22-7/16	47-1/2	31-1/2	2	85
100	7-9/16	10-15/16	32-3/4	12-9/16	4-11/16	4-7/16	22-7/16	47-1/2	31-1/2	2	85
120	9-3/16	13-1/8	33-3/8	12-9/16	4-11/16	4-7/16	22-7/16	48-1/2	31-1/2	2	87
135	10-5/16	14-3/4	33-7/8	13-13/16	4-11/16	4-1/4	24-13/16	53-1/2	33-1/2	2	101
150	11-7/16	16-7/16	36-3/8	15-3/16	4-11/16	4-9/16	27-3/16	55-1/2	36-1/2	2	113
165	12-5/8	18-1/16	38-13/16	16-7/16	4-11/16	4-7/16	39-7/16	58-1/2	38-1/2	2	125
180	13-3/4	19-11/16	41-11/16	17-13/16	4-11/16	4-1/4	31-13/16	60-1/2	40-1/2	2	139
195	14-15/16	21-5/16	43-1/2	19-3/16	4-11/16	4-9/16	34-1/16	66-1/2	43-1/2	2	158
210	16-1/16	23	47-3/8	20-13/16	4-11/16	4-15/16	37-7/16	69-1/2	47-1/2	2	171
225	17-3/16	24-5/8	49-5/8	22-5/16	4-11/16	4-11/16	39-15/16	72-1/2	49-1/2	2	183
245	18-3/4	26-13/16	53-3/8	23-13/16	4-11/16	4-1/2	42-5/16	75-1/2	51-1/2	2	219

ALL DIMENSIONS IN INCHES. WEIGHTS IN LBS., LESS MOTOR.