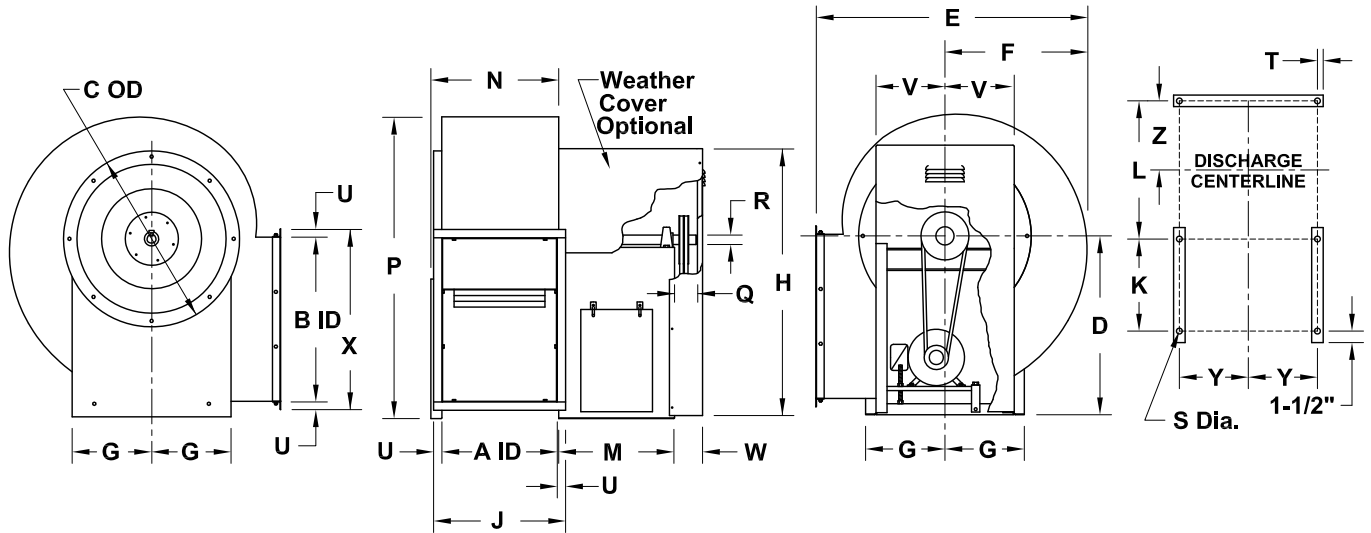


DATE: _____
 PROJECT: _____
 LOCATION: _____



**Forward Curved
 Centrifugal Blower
 Clockwise Bottom Horizontal
 Arrangement 10**



DIMENSION DATA

Size	A	B	C	D	E	F	G	H	J	K	L	M
100	7-9/16	10-15/16	14-1/8	18	22-5/16	12-3/4	9-3/8	25-1/4	10-3/4	10	10-1/4	13-1/8
120	9-3/16	13-1/8	16-1/8	18	24-7/8	13-3/8	9-3/8	26-1/4	12-5/16	10	11-7/8	13-1/8
150	11-7/16	16-7/16	19-1/8	19-1/16	29-5/8	15-5/16	9-3/8	29-1/16	14-9/16	12	14-1/8	15-1/8
180	13-3/4	19-11/16	22-11/16	22-1/16	34-13/16	17-5/8	10-3/8	33-9/16	16-7/8	12	16-7/16	15-1/8
220	17-3/16	24-5/8	27-7/16	27	42-1/16	20-5/8	11-7/8	41	20-5/16	15	20	18-1/8
250	18-3/4	26-13/16	29-7/16	29-5/8	45-1/8	21-3/4	13-3/8	44-5/8	22-7/8	15	21-3/4	18-1/8
270	20-5/8	29-9/16	31-15/16	32-3/8	49-1/8	23-3/8	14-3/8	48-7/8	24-3/4	18	23-5/8	21-1/8
300	22-15/16	32-13/16	34-15/16	35-5/8	54-1/2	25-7/8	15-5/16	53-5/8	27-1/16	18	26	21-3/16

Size	N	P	Q	R	S	T	U	V	W	X	Y	Z	Max Mtr Frame	Ship Wt.
100	9-3/8	26-3/16	3	3/4	9/16	3/4	1-1/2	8-1/16	4-1/16	14-1/16	8-5/8	4-11/16	56T	165
120	11	27-13/16	3	1	9/16	3/4	1-1/2	8-1/16	4-1/16	16-1/4	8-5/8	5-1/2	184T	204
150	13-1/4	31-5/16	3	1	9/16	3/4	1-1/2	8-1/16	4-1/16	19-9/16	8-5/8	6-1/16	184T	273
180	15-5/8	36-3/4	3	1	9/16	3/4	1-1/2	9-1/16	4-1/16	22-13/16	9-5/8	7-13/16	215T	353
220	19-1/8	45-3/8	3	1-3/16	9/16	3/4	1-1/2	10-9/16	5-1/16	27-3/4	11-1/8	9-9/16	215T	493
250	21-1/8	49-9/16	4	1-3/16	11/16	1	2	11-9/16	5-1/16	30-15/16	12-3/8	10-9/16	215T	563
270	23	54-3/8	4	1-7/16	11/16	1	2	12-9/16	5-1/16	33-11/16	13-3/8	11-1/2	256T	653
300	25-15/16	60-1/8	4	1-7/16	11/16	1	2	13-9/16	5-1/16	36-15/16	14-5/16	13	256T	772

ALL DIMENSIONS IN INCHES. WEIGHTS IN LBS., LESS MOTOR.