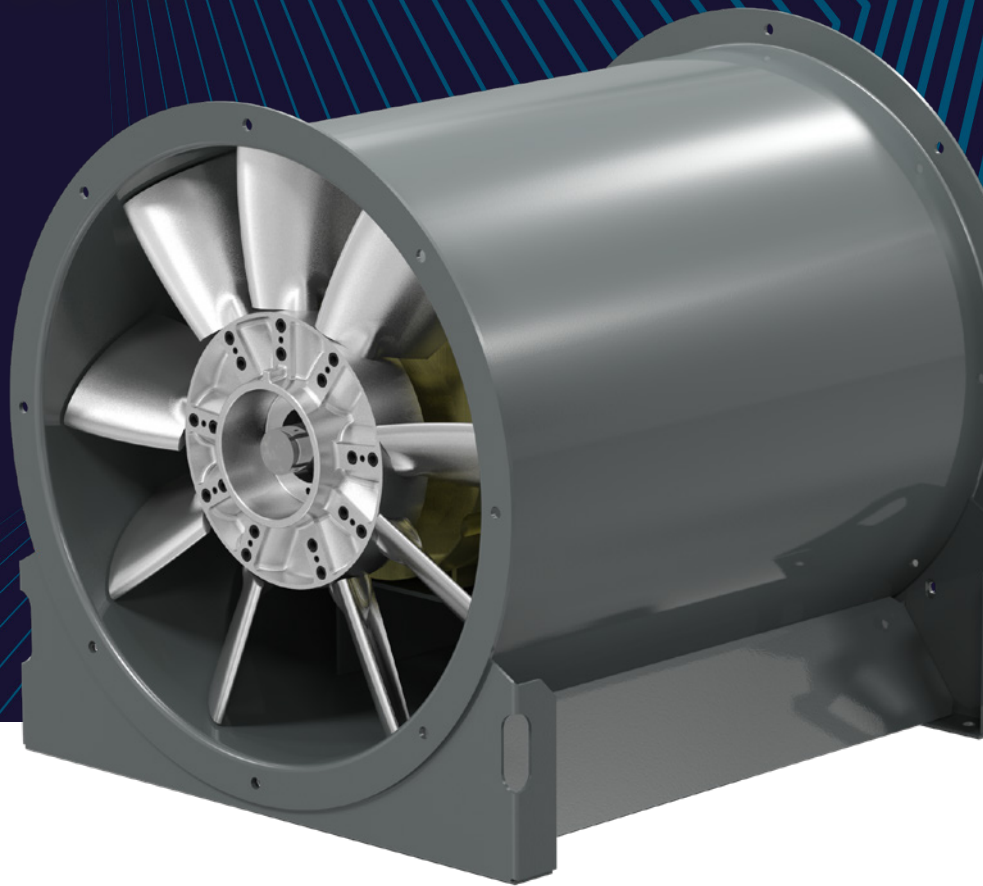




Your Axial Inline Problem Solver

Flexibility + Performance

The AI family of fans can move 400 - 140,000 CFM and static pressure up to 8" w.g. all in an easy-to-maintain direct drive package



Standard Features:



Over 20,000 combinations make AI one of the most flexible and adaptable fans available

- Direct drive for efficiency and reduced maintenance
- Compact inline design
- Multiple blade/hub combinations to fine tune your selection
- Optional vane section for reduced HP at operating point
- Vertical, horizontal and curb mount options
- Available with reversible prop
- 14 housing sizes (12.5" - 64.125" diameter)
- 68 hub/blade combinations
- Blade pitch angles from 5° - 45°
- 2 levels of construction
- Motor pole speeds of 3450, 1760, 1160, 860
- Selections with and without VFD



Contact your **Cook Representative** or visit lorencook.com for more information!

Available Configurations:



Vertical



Horizontal



Upblast

Performance Data:

Hub Size		15 (6")		20 (8")		25 (10")		32 (12.5")		40 (16")		50 (20")		
# of Blades		4	6	4	6	6	9	6	9	6	9	8	12	
MODEL SIZE	31	✓	✓											
	36	✓	✓											
	41	✓	✓	✓	✓									
	47	✓	✓	✓	✓									
	54	✓	✓	✓	✓	✓	✓							
	63	✓	✓	✓	✓	✓	✓							
	72			✓	✓	✓	✓	✓	✓					
	80			✓	✓	✓	✓	✓	✓					
	90					✓	✓	✓	✓	✓	✓			
	103					✓	✓	✓	✓	✓	✓			
	113								✓	✓	✓	✓	✓	
	123								✓	✓	✓	✓	✓	
	140										✓	✓	✓	✓
	160										✓	✓	✓	✓