

MARK: _____

PROJECT: _____

DATE: _____

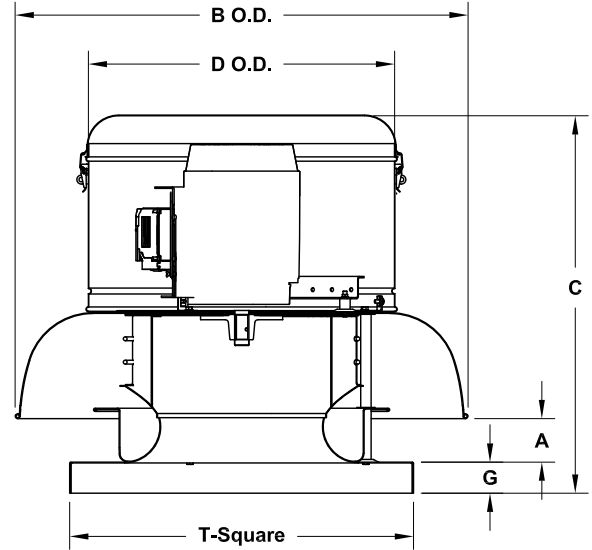


Downblast Centrifugal Exhaust Ventilator Roof Mounted/Direct Drive

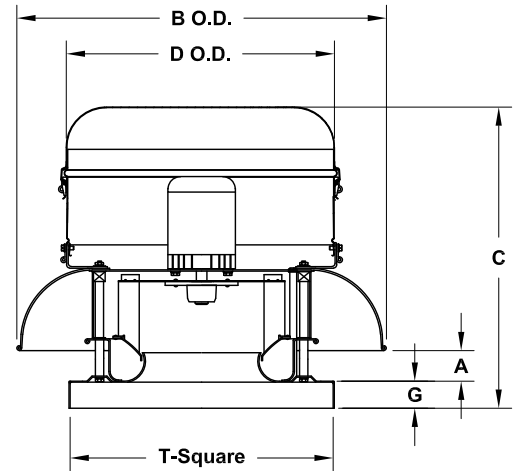
DIMENSION DATA

Size	A	B	C	D	G	T Sq.	Unit Wt.	Roof Opening Sq.*
70	1-3/4	13-5/8	13-13/16	11-7/8	2	18	12	13-1/2
90	2-1/2	18-3/4	16-13/16	14-11/16	2	18	13	13-1/2
100	2-1/2	18-3/4	16-13/16	14-11/16	2	18	14	13-1/2
101	2-3/8	23-9/16	21-1/8	16-3/4	2	18	15	13-1/2
120	1-7/16	28-7/16	27-1/16	20-3/8	2	20	20	15-1/2
135	1-15/16	28-7/16	28-11/16	20-3/8	2	20	25	15-1/2
150	2-13/16	32-7/8	29-3/16	23-13/16	2	24	31	19-1/2
165	3-5/16	32-7/8	29-3/16	23-13/16	2	24	38	19-1/2
180	3-5/16	37-11/16	33-15/16	26-1/8	3	30	47	25-1/2
195	4-7/16	37-11/16	35	26-1/8	3	30	58	25-1/2
210	4-3/4	43-5/8	37-1/4	29-7/8	3	30	76	25-1/2
225	4-7/8	43-5/8	37-3/8	29-7/8	3	30	82	25-1/2
245	6-1/8	47-5/8	39-7/8	32-7/8	3	30	91	25-1/2
270	6-1/8	47-5/8	39-7/8	35-7/8	3	36	115	31-1/2
300	7-1/16	52-5/8	49-1/16	39-3/8	3	36	166	31-1/2

ALL DIMENSIONS IN INCHES. WEIGHTS IN LBS.
* ROOF OPENING SIZE FOR CURBS SUPPLIED BY COOK ONLY.



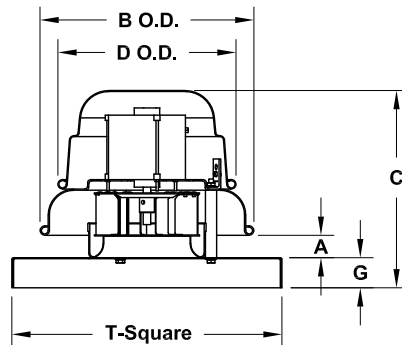
SIZES 150-300 BASE MOUNT



SIZES 101-180 C-FACE MOTOR MOUNT

STANDARD CONSTRUCTION FEATURES:

All aluminum housing - Backward inclined all aluminum wheel -
Two piece top cap with stainless steel quick release latches
(Sizes 120-300) - Welded curb cap corners - Birdscreen -
Permanently lubricated ball bearing motors - Corrosion resistant
fasteners - Transit tested packaging.



SIZES 70-100 C-FACE MOTOR MOUNT

ACCESSORIES

1. DISCONNECT SWITCH
2. GRAVITY BACKDRAFT DAMPER
3. MOTORIZED BACKDRAFT DAMPER
4. RCG GALVANIZED CURB
5. RCA ALUMINUM CURB
6. FAN SPEED CONTROL
7. EPOXY COATING
8. EPOXY PHENOLIC COATING
9. LORENIZED COATING
10. ANTI-CONDENSATE COATING
11. LESS BIRDSCREEN
12. VFD

QTY	MARK	CATALOG NUMBER	FAN INFORMATION			MOTOR INFORMATION					ACCESSORIES	
			CFM	SP	RPM	HP	VOLTS	HZ	PH	TYPE		

MOTOR TYPE: ODP (OPEN DRIP-PROOF); X-PRF (EXPLOSION PROOF);
TEFC (TOTALLY ENCLOSED FAN COOLED).