

DATE: _____

PROJECT: _____

LOCATION: _____



**Upblast Centri-Vane Stretch
All Aluminum Inline
Centrifugal Blower
Roof Mounted/Belt Drive**

DIMENSION DATA

Size	A	B	C	D	E	F	G	L	M	N	T Sq.	Wheel Dia.	Max Mtr Frame	Ship Wt. less Mtr.
12	32-7/8	15	19-7/16	8	40-7/8	16	2	1	14-5/8	12	20	15-9/16	182T	125
14	36	16	22-3/16	10	46	18	2	1	16-5/8	14	24	18-1/4	184T	144
16	39-9/16	17	25-9/16	10	49-9/16	21	2	1	18-5/8	16	28	20-15/16	184T	170
18	43-5/8	19	28-7/16	12	55-5/8	23	2	1	20-5/8	18	32	23-9/16	213T	295
20	46-5/8	19	31-3/16	12	58-5/8	25	2	1	22-5/8	20	32	26-1/4	213T	318
24	53-3/4	21	37-9/16	14	67-3/4	29	3	1-3/16	27-1/8	24	36	31-9/16	215T	480
28	60-3/4	29	43-1/16	16	76-3/4	33	3	1-11/16	31-1/8	28	42	36-7/8	254T	643
32	67-7/8	30	48-15/16	18	85-7/8	37	3	1-11/16	35-1/8	32	48	42-3/16	256T	823
36	73-1/2	32	54-5/8	20	93-1/2	41	3	1-15/16	39-1/8	36	54	47-1/2	256T	1013

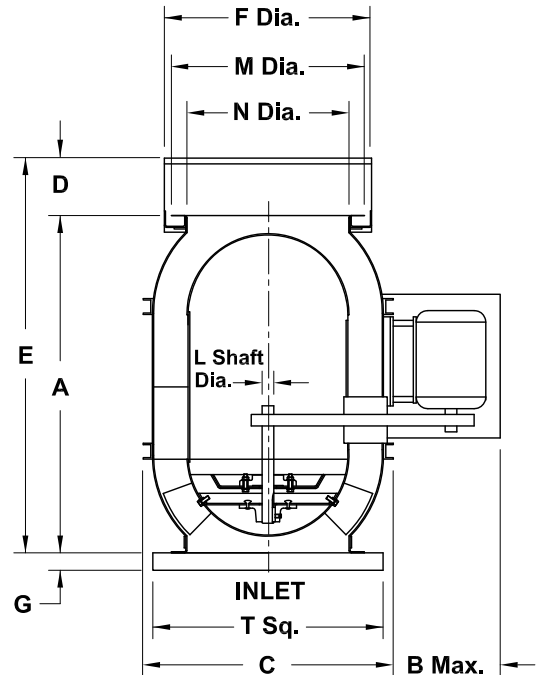
ALL DIMENSIONS IN INCHES. WEIGHTS IN LBS.

STANDARD CONSTRUCTION FEATURES:

All aluminum construction - Butterfly damper assembly with wind band - Weather cover - Fully rotatable housing - All angle operation - Straightening vanes - Regreasable bearings in a cast housing rated at 200,000 hours average life - Extended lube lines - Bearings and belts out of the airstream - Static resistant belts - All fans factory adjusted to specified fan RPM - Five year fan warranty.

ACCESSORIES

1. DISCONNECT SWITCH
2. RCG GALVANIZED CURB
3. RCA ALUMINUM CURB
4. BELT GUARD
5. EPOXY COATING



QTY	MARK	CATALOG NUMBER	FAN INFORMATION			MOTOR INFORMATION					ACCESSORIES							
			CFM	SP	RPM	HP	VOLTS	HZ	PH	TYPE								

LARGEST MOTOR SHIPPED MOUNTED: ODP (OPEN DRIP-PROOF) 2 HP; 2 SP (2 SPEED) 1 HP; X-PRF (EXPLOSION PROOF) 1 HP; TEFC (TOTALLY ENCLOSED FAN COOLED) 1 HP.