



COOK

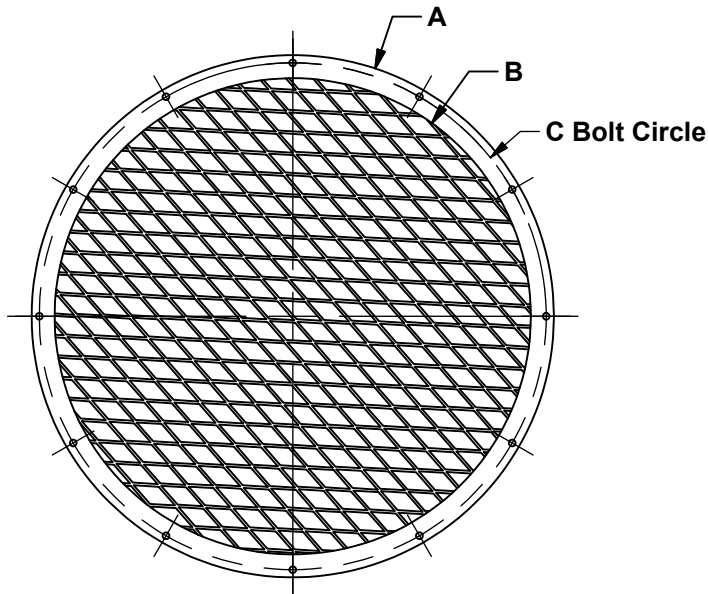
Inlet Safety Screen

MARK: _____
 PROJECT: _____
 DATE: _____

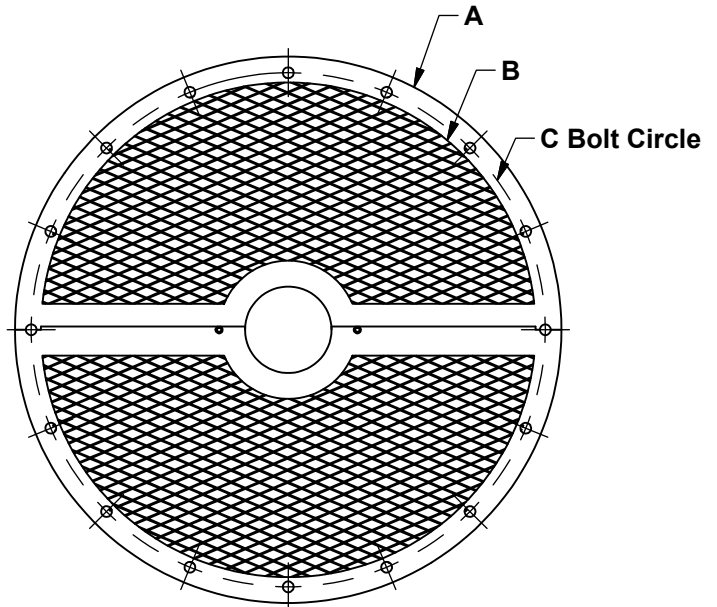
Accessory Data Sheet
 CA, CCP, CF, CIC, CPA, PLC,
 CPS, CPV, TCN, QMX, TMX

SIZE	CA, CF, CIC, CCP			CPS, CPA, CPV, TCN			PLC			QMX LVL 1, TMX			QMX LVL 2		
	A	B	C	A	B	C	A	B	C	A	B	C	A	B	C
60	-	-	-	13 1/2	10 1/2	12 1/2	-	-	-	-	-	-	-	-	-
70	-	-	-	13 1/2	10 1/2	12 1/2	-	-	-	-	-	-	-	-	-
80	-	-	-	13 1/2	10 1/2	12 1/2	-	-	-	-	-	-	-	-	-
90	-	-	-	-	-	-	-	-	-	12 5/8	11 1/8	11 3/4	12 5/8	11 1/8	11 3/4
100	-	-	-	13 1/2	10 1/2	12 1/2	-	-	-	-	-	-	-	-	-
120	15 1/2	12 1/2	14 1/2	15 1/2	12 1/2	14 1/2	16 1/8	13 1/8	14 1/2	16 7/8	15 3/8	16	16 7/8	15 3/8	16
135	17	14	16	17	14	16	17 5/8	14 5/8	16	19	17 1/2	18 1/8	19	17 1/2	18 1/8
150	18 1/2	15 1/2	17 1/2	18 1/2	15 1/2	17 1/2	19 1/8	16 1/8	17 1/2	21 1/8	19 9/16	20 1/4	21 1/8	19 9/16	20 1/4
165	20 1/4	17 1/4	19	20 1/4	17 1/4	19	20 5/8	17 5/8	19	23 11/16	21 1/8	22 7/16	23 1/4	21 5/8	22 3/8
180	21 3/4	18 3/4	20 1/2	21 3/4	18 3/4	20 1/2	22 1/8	19 1/8	20 1/2	25 1/4	23 3/4	24 7/16	25 5/16	23 5/8	24 7/16
195	23 1/2	20 1/2	22	23 1/2	20 1/2	22	23 1/4	20 1/4	22	-	-	-	-	-	-
202	-	-	-	-	-	-	-	-	-	28 5/8	26 3/8	27 1/2	28 1/2	26 5/8	27 1/2
210	25 1/4	22 1/4	23 3/4	25 1/4	22 1/4	23 3/4	25	22	23 3/4	-	-	-	-	-	-
225	26 3/4	23 3/4	25 1/4	26 3/4	23 3/4	25 1/4	26 1/2	23 1/2	25 1/4	31 9/16	29 9/16	30 9/16	31 11/16	29 9/16	30 9/16
245	28 3/4	25 3/4	27 1/4	28 3/4	25 3/4	27 1/4	28 1/2	25 1/2	27 1/4	34 11/16	31 7/8	33 5/16	34 1/2	32 3/16	33 1/4
270	31 1/4	27 1/4	29 3/4	31 1/4	27 1/4	29 3/4	31 1/4	28 1/4	29 3/4	38	35 3/8	36 11/16	38 1/16	35 7/16	36 11/16
300	34 1/4	30 1/4	32 3/4	34 1/4	30 1/4	32 3/4	34 1/4	30 1/4	32 3/4	41 15/16	39 9/16	40 3/4	42 1/4	39 3/8	40 3/4
330	37 1/4	33 1/4	35 3/4	37 1/4	33 1/4	35 3/4	37 1/4	33 1/4	35 3/4	45 7/8	43 3/4	44 13/16	46 1/2	43 5/16	44 13/16
365	40 3/4	36 3/4	39 1/4	40 3/4	36 3/4	39 1/4	40 3/4	36 3/4	39 1/4	51	48 3/16	49 5/8	51 7/16	47 15/16	49 9/16
402	44 1/2	40 1/2	43	44 1/2	40 1/2	43	44 1/2	40 1/2	43	55 15/16	53 7/16	54 11/16	56 5/8	52 3/4	54 5/8
445	48 3/4	44 3/4	47 1/4	48 3/4	44 3/4	47 1/4	48 3/4	44 3/4	47 1/4	61 1/2	59 3/8	60 7/16	62 11/16	58 7/16	60 7/16
490	54 1/4	50 1/4	52 3/4	54 1/4	50 1/4	52 3/4	54 1/4	50 1/4	52 3/4	67 15/16	65 3/16	66 9/16	69 1/16	64 5/16	66 9/16
540	59 1/4	55 1/4	57 3/4	-	-	-	59 1/4	55 1/4	57 3/4	74 1/2	72 3/16	73 3/8	76 1/8	70 7/8	73 3/8
600	65 1/4	61 1/4	63 3/4	-	-	-	65 1/4	61 1/4	63 3/4	82 1/2	80 5/8	81 1/2	84 9/16	78 3/4	81 1/2
660	71 1/4	67 1/4	69 3/4	-	-	-	71 1/4	67 1/4	69 3/4	-	-	-	-	-	-
730	78 1/4	74 1/4	76 3/4	-	-	-	78 1/4	74 1/4	76 3/4	-	-	-	-	-	-

All dimensions in inches.



CA, CF, CIC, CCP, CPS,
 CPA, CPV, TCN, QMX, TMX



PLC

NOTES:

Steel Screen : 1 1/2"-16F expanded metal with 5/64" - 3/16" Flat Bar
 Aluminum Screen: 1 1/2" - #.125 expanded metal with 1/8" - 3/16" Flat Bar

X0560R03