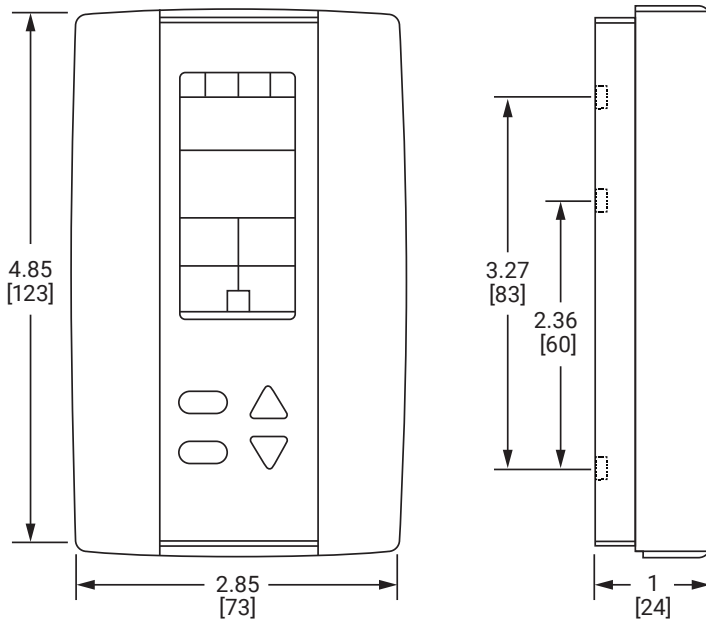


DATE: \_\_\_\_\_  
 PROJECT: \_\_\_\_\_  
 LOCATION: \_\_\_\_\_

### Product Description

The Vari-Flow CO<sub>2</sub> Controller (VFCO2/VFCO2-N) is used to modulate fan speed via a 0-10VDC output signal to a Vari-Flow motor. The signal varies directly with the difference between the ambient CO<sub>2</sub> level and the CO<sub>2</sub> set point. It will also simultaneously control to the humidity and temperature set points.

Setup is configured via a pushbutton menu and digital readout. Monitoring capability is achieved through dry contact set points. VFCO2-N is BACnet or Modbus network-compatible (selectable via menu).



### Specifications

<b>Temperature Range</b>	50°F to 104°F (10°C to 40°C)
<b>Accuracy</b>	+/- 0.8°F (0.4°C)
<b>Resolution</b>	+/- 0.2°F (0.1°C)
<b>Power Supply</b>	24V
<b>Minimum Conductor</b>	18 AWG (8mm <sup>2</sup> ) copper or equivalent
<b>Inputs</b>	(2) Configurable analog inputs: 0–10VDC, Thermistor (10k Type 3), or digital input (dry contact)
<b>Outputs</b>	(2) Binary outputs (BO1 and BO2), dry contacts 24VAC, 1A max/3A max inrush (2) Analog outputs (cooling and/or heating, 0–10VDC)
<b>Contacts</b>	NO and NC field configurable settings
<b>Operating Temperature</b>	32°F to 104°F (0°C to 40°C)
<b>Storage Temperature</b>	-22°F to 122°F (-30°C to 50°C)
<b>Enclosure</b>	IP 30 (EN60529, NEMA 1)
<b>Weight</b>	0.25 lb (120g)
<b>Certifications</b>	Conforms to UL 873, certified to CSA C22.2 No. 24-93
<b>Networking</b>	BACnet (up to 76800 bps) (B-ASC) Modbus RTU slave (up to 57600) Parity/stop bit configuration: No parity, 2 stop bit; Even parity, 1 stop bit; Odd parity, 1 stop bit