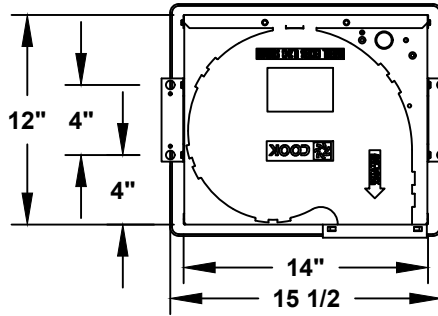


DATE: _____
 PROJECT: _____
 LOCATION: _____



Ceiling Fans
100 Series
Vari-Flow®

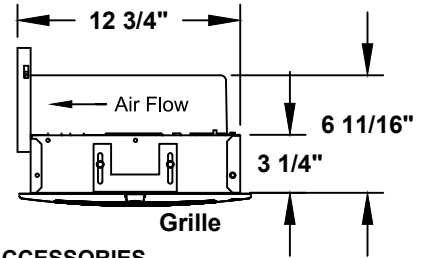
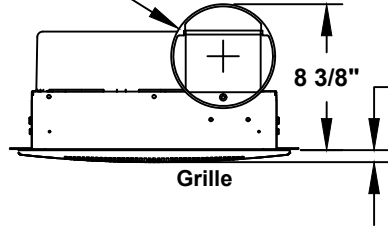


CATALOG NUMBER DEFINITION:

GCVF - 100

Fan Size
 Model: GC = Gemini (Ceiling mount)
 VF = VariFlow® (EC Motor)

Ø5 15/16 O.D.



DIMENSION DATA

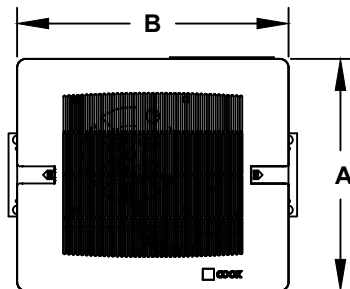
Size	Unit Wt.
100 Series	16

WEIGHTS IN LBS.

DIMENSION DATA

Grille Material	A	B
PLASTIC	13-1/4	15-1/2
STEEL	13-1/2	15-1/2
ALUMINUM	13-3/4	15-1/2

ALL DIMENSIONS IN INCHES.



ACCESSORIES

1. FAN SPEED CONTROL (2 Speed)
2. ROOF JACK
3. ROOF CAP
4. ROUND WALL CAP W/BACKDRAFT DAMPER
5. EAVE ELBOW
6. STEEL GRILLE
7. DELUXE ALUMINUM GRILLE
8. BRICK VENT
9. CEILING RADIATION DAMPER
10. GEMINI HANGING ISOLATOR KIT
11. CEILING TO INLINE CONVERSION KIT
12. ALUMINUM BACKDRAFT DAMPER
13. 277 VOLT TRANSFORMER
14. ROOF CURB
15. UNIVERSAL CONTROLLER
16. AIR BALANCE KIT
17. PRESSURE CONTROLLER
18. FAN SPEED CONTROL (Remote)

STANDARD CONSTRUCTION FEATURES:

Forward curved injection molded polypropylene fan wheel - Injection molded flame resistant fan housing with round outlet duct - 22 ga. galvanized steel inlet box - Isolation mounted motor, mounted to one piece galvanized stamped steel integral motor mount/inlet - Permanently lubricated electronically commutated variable speed motor with built-in electronic overload protection and disconnect plug - Field wiring compartment with receptacle - Adjustable prepunched mounting bracket - White, high impact styrene injection molded grille - Shipped in ISTA certified transit tested packaging.

QTY	MARK	CATALOG NUMBER	FAN INFORMATION			MOTOR INFORMATION					ACCESSORIES						
			CFM	SP	RPM	HP	VOLTS	HZ	PH	TYPE							

MOTOR TYPE: EC (ELECTRONICALLY COMMUTATED)

GM027R00