



# COOK

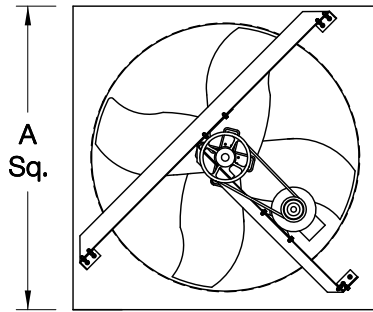
## X-Stream

## XLW

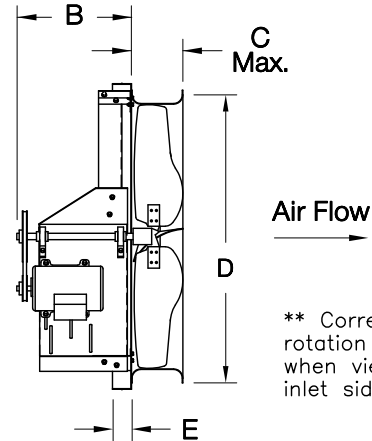
DATE: \_\_\_\_\_  
 PROJECT: \_\_\_\_\_  
 LOCATION: \_\_\_\_\_



**Low-Pressure  
 Wall Exhaust Fan  
 Steel Propeller  
 Belt Drive**



\*\*Rotation



\*\* Correct propeller rotation is CCW when viewing from inlet side.

**DIMENSION DATA**

| Size | A Sq.   | B       | C      | D      | E | Wall Opening* | Approx. Ship Wt. |
|------|---------|---------|--------|--------|---|---------------|------------------|
| 20   | 24-3/16 | 14-5/16 | 6-5/8  | 23-3/8 | 2 | 24-7/16       | 118              |
| 24   | 30-3/16 | 14-5/16 | 6-5/8  | 27-3/8 | 3 | 30-7/16       | 125              |
| 30   | 36-3/16 | 14-5/16 | 6-3/4  | 33-3/8 | 3 | 36-7/16       | 148              |
| 36   | 42-3/16 | 14-5/16 | 7-1/4  | 39-3/8 | 3 | 42-7/16       | 179              |
| 42   | 48-3/16 | 18-1/16 | 8-1/16 | 46-3/8 | 3 | 48-7/16       | 240              |
| 48   | 54-3/16 | 18-1/16 | 8-1/16 | 52-3/8 | 3 | 54-7/16       | 275              |
| 54   | 60-3/16 | 18-1/16 | 9      | 58-3/8 | 3 | 60-7/16       | 329              |
| 60   | 66-3/16 | 18-1/16 | 9      | 64-3/8 | 3 | 66-7/16       | 365              |

ALL DIMENSIONS IN INCHES. WEIGHTS IN LBS., LESS MOTOR.  
 \* See wire guard or wall collar submittal for accessory wall opening.

**STANDARD CONSTRUCTION FEATURES:**

X-stream steel propeller – Propeller hub keyed to shaft – Propellers are statically and dynamically balanced – 14 gauge steel venturi – Welded wall base corners – Lorenized powder paint finish – Regreasable bearings in a cast housing rated at 200,000 hours average life – Adjustable pitch drives through 5 hp – Corrosion resistant fasteners – Static resistant belts – All fans factory adjusted to specified fan RPM.

**ACCESSORIES**

1. GALVANIZED SHUTTER – GRAVITY OR MOTORIZED
2. ALUMINUM SHUTTER – GRAVITY OR MOTORIZED
3. ALUMINUM HD SHUTTER – GRAVITY OR MOTORIZED
4. BAKED EPOXY POWDER
5. BAKED PHENOLIC EPOXY POWDER
6. PROP SIDE WIRE GUARD
7. MOTOR SIDE WIRE GUARD
8. WALL COLLAR
9. WEATHER HOOD
10. SHUTTER GUARD
11. DISCONNECT SWITCH
12. SPECIAL

| QTY | MARK | CATALOG NUMBER | FAN INFORMATION |    |     | MOTOR INFORMATION |       |    |    |      | ACCESSORIES |  |  |  |
|-----|------|----------------|-----------------|----|-----|-------------------|-------|----|----|------|-------------|--|--|--|
|     |      |                | CFM             | SP | RPM | HP                | VOLTS | HZ | PH | TYPE |             |  |  |  |
|     |      |                |                 |    |     |                   |       |    |    |      |             |  |  |  |

**LARGEST MOTOR SHIPPED MOUNTED:** ODP (OPEN DRIP-PROOF) 2 HP; 2 SP (2 SPEED) 1-1/2 HP;  
 X-PRF (EXPLOSION PROOF) 1 HP; TEFC (TOTALLY ENCLOSED FAN COOLED) 1-1/2 HP.

**WP012R04**