

MARK: _____

PROJECT: _____

DATE: _____



**Downblast Centrifugal
Exhaust Ventilator
Hurricane / Missile Impact
Resistant
Roof Mounted/Belt Drive**

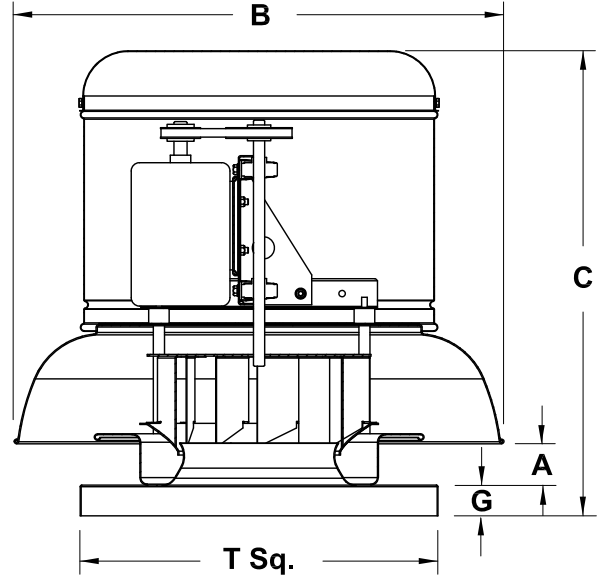
DIMENSION DATA

Size	A	B	C	G	T Sq.	Roof Open. Sq.*	Ship Wt.
60	2-7/8	23-9/16	21-1/8	2	18	13-1/2	30
70	2-7/8	23-9/16	21-1/8	2	18	13-1/2	30
80	2-7/8	23-9/16	21-1/8	2	18	13-1/2	30
100	2-7/8	23-9/16	21-1/8	2	18	13-1/2	30
120	1-13/16	28-7/16	26-7/8	2	20	19-1/2	55
135	2-3/16	28-7/16	27-1/4	2	20	19-1/2	60
150	3-1/16	32-7/8	28-7/8	2	24	19-1/2	70
165	3-9/16	32-7/8	29-3/8	2	24	19-1/2	75
180	3-15/16	37-11/16	34-1/2	3	30	25-1/2	90
195	4-7/16	37-11/16	35	3	30	25-1/2	100
210	4-3/4	43-5/8	43-5/8	3	30	25-1/2	200
225	4-7/8	43-5/8	43-5/8	3	30	25-1/2	220
245	6-1/8	47-5/8	39-7/8	3	30	25-1/2	240
270	6-1/8	47-5/8	39-7/8	3	36	31-1/2	260
300	7-1/16	52-5/8	49-1/16	3	36	31-1/2	300

ALL DIMENSIONS IN INCHES. WEIGHTS IN LBS., LESS MOTOR.
*ROOF OPENING SIZE FOR CURBS SUPPLIED BY COOK ONLY.

MIAMI-DADE NOTICE OF ACCEPTANCE:

- TAS-201: Large Missile Impact Test
- TAS-202: Uniform Static Air Pressure Test
- TAS-203: Cyclic Wind Pressure Test



STANDARD CONSTRUCTION FEATURES:

All aluminum housing - Backward inclined all aluminum wheel
-Removable top cap - Welded curb cap corners - Birdscreen -Vibration isolators - Lifting lugs - Permanently lubricated ball bearing motors - Static resistant belts -Adjustable pitch drives through 5 hp motor - Corrosion resistant fasteners - Regreasable bearings in cast iron pillow block housing, rated at 200,000 hours average life - All fans factory adjusted to specified fan RPM - Transit tested packaging - Standard motors ship factory installed.

ACCESSORIES

1. DISCONNECT SWITCH
2. GRAVITY BACKDRAFT DAMPER
3. MOTORIZED BACKDRAFT DAMPER
4. RCG GALVANIZED CURB
5. RCA ALUMINUM CURB
6. EPOXY COATING
7. EPOXY PHENOLIC COATING
8. LORENIZED COATING
9. ANTI-CONDENSATE COATING
10. LESS BIRDSCREEN
11. TYPE "A" CONSTRUCTION
12. SPECIAL

QTY	MARK	CATALOG NUMBER	FAN INFORMATION			MOTOR INFORMATION					ACCESSORIES	
			CFM	SP	RPM	HP	VOLTS	HZ	PH	TYPE		

MOTOR TYPE: ODP (OPEN DRIP-PROOF); **2 SP** (2 SPEED);
X-PRF (EXPLOSION PROOF); **TEFC** (TOTALLY ENCLOSED FAN COOLED).