



DATE: _____

PROJECT: _____

LOCATION: _____

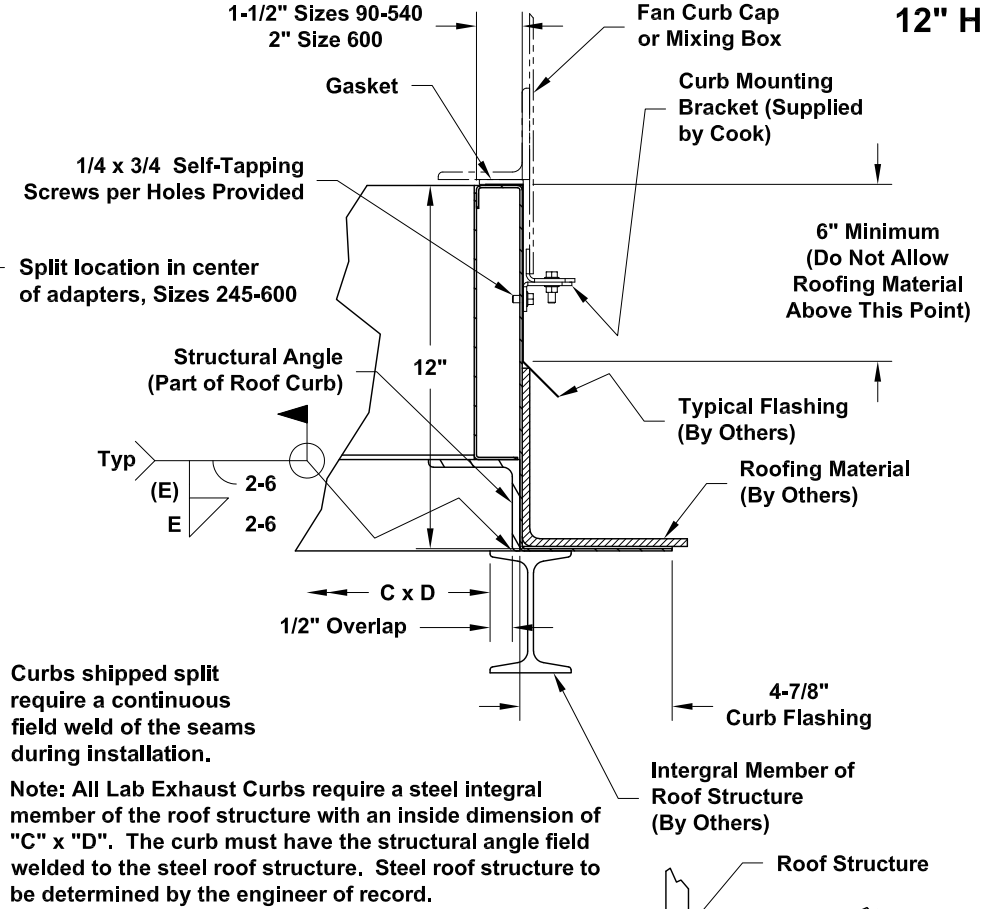
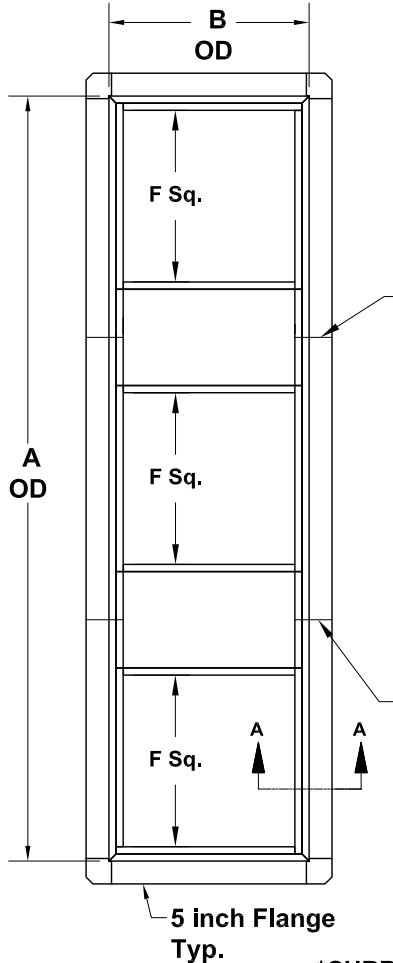
Coated Steel Lab Exhauster Curb

QMXLE, QMXHPLE

QMXVP, QMXHPVP

Triple (1x3) Configuration

12" High

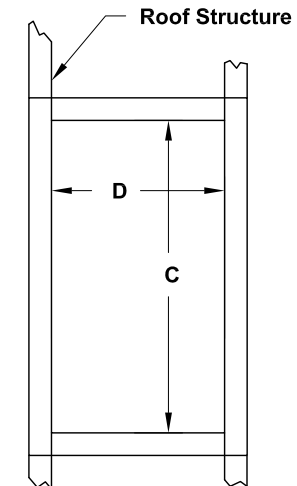


DIMENSION DATA

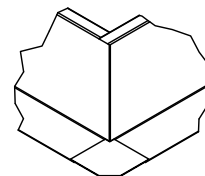
*CURB TO BE COATED SAME AS UNIT

Size	A	B	C	D	E	F	Gauge Thickness	Approx. Curb Wt.
90	99-1/2	27-3/16	97-13/16	25-1/2	1/4	21	12	448
120	99-1/2	27-3/16	97-13/16	25-1/2	1/4	21	12	448
135	99-1/2	27-1/8	97-13/16	25-7/16	1/4	20-15/16	12	448
150	105-1/2	29-1/8	103-13/16	27-7/16	1/4	22-15/16	12	479
165	111-1/2	31-1/8	109-13/16	29-7/16	1/4	24-15/16	12	510
180	133-1/2	33-1/8	131-13/16	31-7/16	1/4	26-15/16	12	584
202	141-1/4	36-15/16	139-9/16	35-1/4	1/4	30-3/4	12	634
225	143-1/4	40-15/16	141-9/16	39-1/4	1/4	34-3/4	12	668
245	171-5/16	42-15/16	169-5/8	41-1/4	1/4	36-3/4	12	759
270	175-5/16	46-15/16	173-5/8	45-1/4	1/4	40-3/4	12	798
300	211-5/16	50-15/16	209-5/8	49-1/4	1/4	44-3/4	12	927
330	215-5/16	54-13/16	213-5/8	53-1/8	1/4	48-5/8	12	965
365	255-1/4	60-3/4	253-9/16	59-1/16	1/4	54-9/16	12	1117
402	260-3/8	65-5/8	258-11/16	63-15/16	1/4	59-7/16	12	1167
445	267-3/8	72-5/8	265-11/16	70-15/16	1/4	66-7/16	12	1236
490	303-1/2	78-1/2	301-1/2	76-1/2	3/8	72-1/4	10	1846
540	316-3/8	85-3/8	314-3/8	83-3/8	3/8	79-1/8	10	1961
600	329-3/8	94-3/8	327-1/4	92-1/4	3/8	88	7	2585

ALL DIMENSIONS IN INCHES. WEIGHT IN LBS.



Roof Opening



Curb Corner