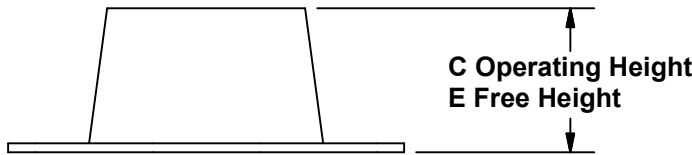
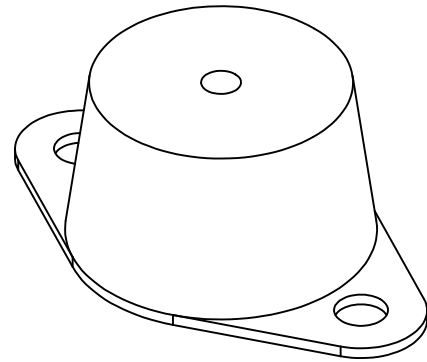
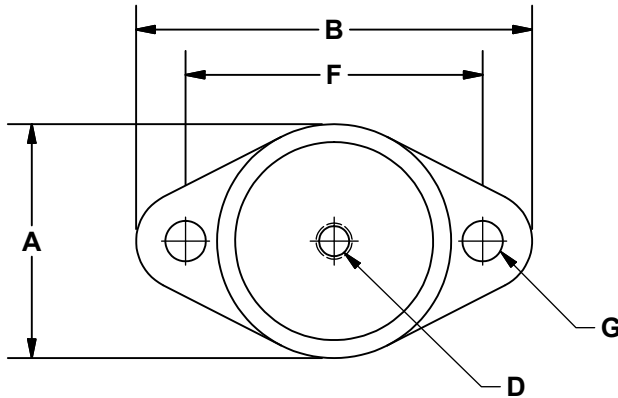


MARK: _____
 PROJECT: _____
 DATE: _____

**Rubber-In-Shear
 Isolator
 Floor Mounted**



DIMENSION DATA

| LC Model | Mfg. | Mfg. Model | Rated Deflect | Rated Load | A | B | C | D | E | F | G | Unit Wt. |
|----------|------|------------|---------------|------------|---------|--------|--------|----------|-------|-------|-------|----------|
| RF-55 | KNC | RDA-55 | .40 | 55 | 1-13/16 | 3-3/16 | 1-3/32 | 5/16 UNC | 1-1/2 | 2-3/8 | 11/32 | 1 |
| RF-120 | KNC | RDB-120 | .50 | 120 | 2-3/8 | 3-7/8 | 1-1/4 | 3/8 UNC | 1-3/4 | 3 | 11/32 | 1 |
| RF-220 | KNC | RDB-220 | .50 | 220 | 2-3/8 | 3-7/8 | 1-1/4 | 3/8 UNC | 1-3/4 | 3 | 11/32 | 1 |
| RF-375 | KNC | RDB-375 | .50 | 375 | 2-3/8 | 3-7/8 | 1-1/4 | 3/8 UNC | 1-3/4 | 3 | 11/32 | 1 |
| RF-600 | KNC | RDC-600 | .50 | 600 | 3-1/4 | 5-1/2 | 2 | 1/2 UNC | 2-1/2 | 4-1/8 | 9/16 | 2 |
| RF-1100 | KNC | RDC-1100 | .50 | 1100 | 3-1/4 | 5-1/2 | 2 | 1/2 UNC | 2-1/2 | 4-1/8 | 9/16 | 2 |
| RF-2250 | KNC | RDD-2250 | .50 | 2250 | 4-5/8 | 6-1/4 | 2-1/4 | 1/2 UNC | 2-3/4 | 5 | 9/16 | 4 |

ALL DIMENSIONS IN INCHES. WEIGHTS IN LBS.