



COOK

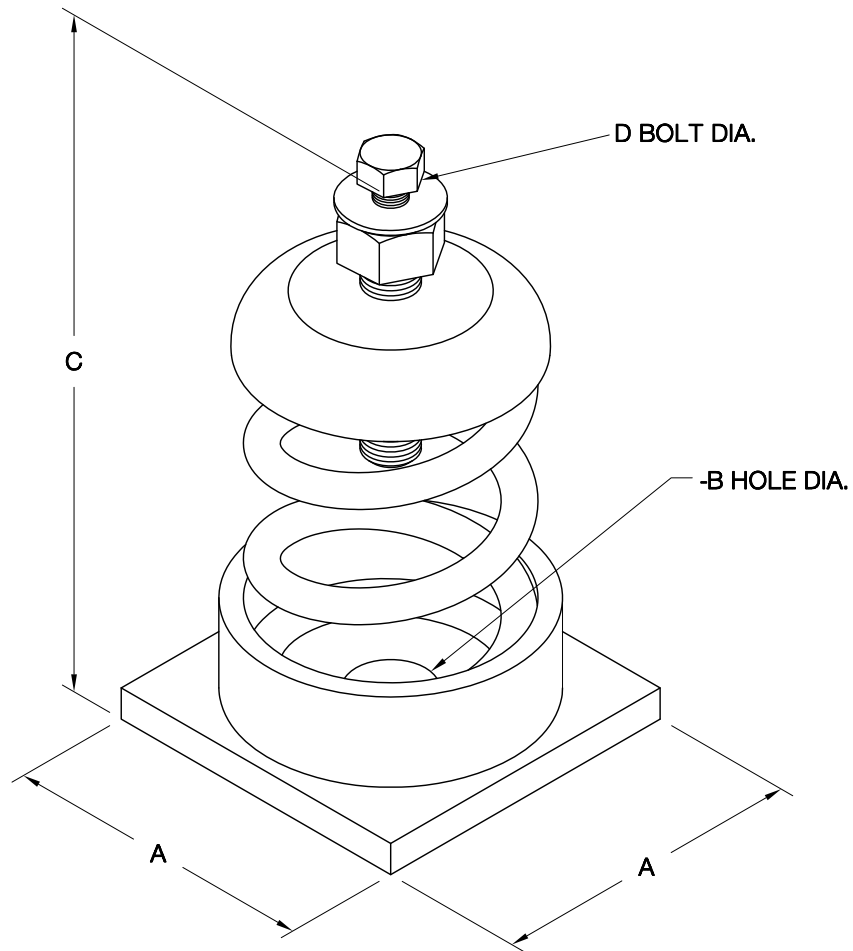
Spring Floor

DATE: _____

PROJECT: _____

LOCATION: _____

Free Standing Spring
Isolator
Floor Mounted



DIMENSION DATA

L.C. Model	Manuf	Manuf Model	SPRING COLOR		Rated Deflect	Rated Load	Spr.Rate (lbs/in)	A Length	B Hole Dia.	C Op.Height	D Bolt	Ship Wt.
			OUTER	INNER								
SF-70	KNC	FDS-1-70	GREEN	-	1.36	70	50	2-5/8	11/16	4.19	3/8	2
SF-120	KNC	FDS-1-120	GRAY	-	1.18	120	102	2-5/8	11/16	4.19	3/8	2
SF-220	KNC	FDS-1-220	BROWN	-	1.07	220	206	2-5/8	11/16	4.19	3/8	2
SF-370	KNC	FDS-1-370	ORANGE	-	1	370	385	2-5/8	11/16	4.19	3/8	2
SF-625	KNC	FDS-1-625	BLACK	-	1.44	625	434	3-7/8	1	5.44	3/8	4
SF-1250	KNC	FDS-1-1250	BROWN	-	1.09	1250	1147	3-7/8	1	5.44	3/8	6
SF-1700	KNC	FDS-1-1700	ORANGE	-	1	1700	1789	3-7/8	1	5.44	3/8	6
SF-2200	KNC	FDS-1-2200	ORANGE	GRAY	1	2200	2200	3-7/8	1	5.44	3/8	8
SF-3500	KNC	FDS-1-3500	BLUE	BROWN	1	3500	3500	3-7/8	1	5.44	3/8	8

ALL DIMENSIONS IN INCHES.

ALL ISOLATORS LISTED ARE DESIGNED TO PROVIDE A MINIMUM OF 50% OVERLOAD CAPACITY.

* B HOLE IS USED FOR ISOLATOR MOUNTING.