



COOK

PP-50

DATE: _____

PROJECT: _____

LOCATION: _____



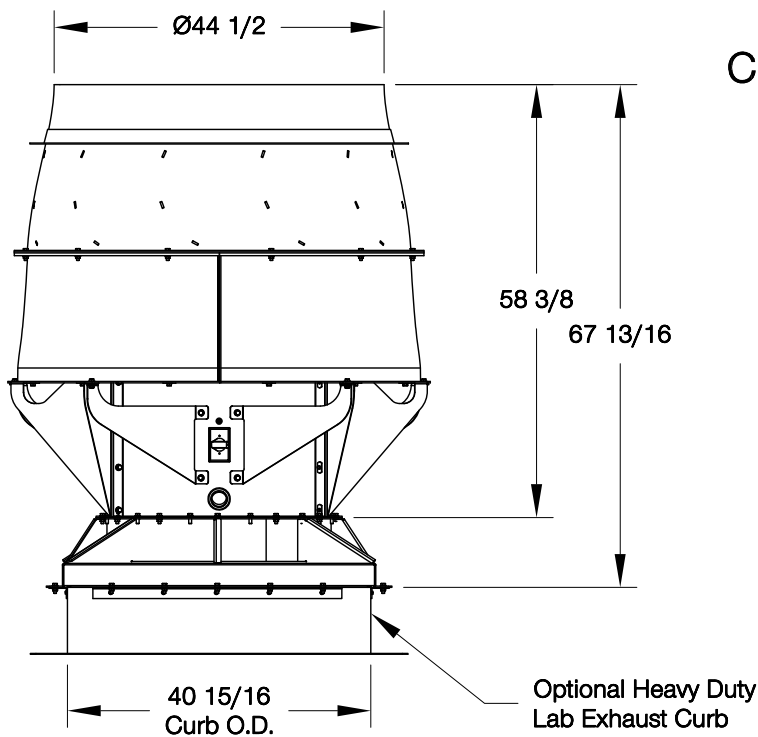
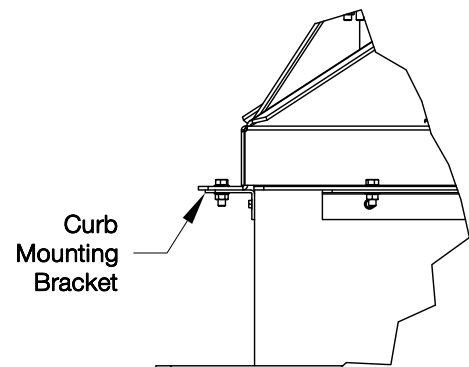
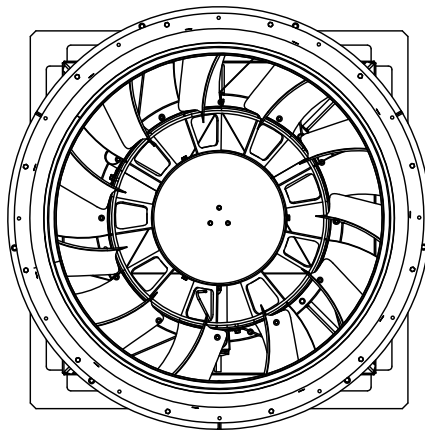
Power-Plume®

Size 50

On Curb Cap

Weight 1170 Lbs. (Less Curb)

**WARNING: ROTOR IMBALANCE MAY OCCUR UNDER ICING CONDITIONS;
SEE INSTALLATION, OPERATION AND MAINTENANCE MANUAL FOR DETAILS.**



Curb Attachment
Detail

Not intended to be supported by traditional sheet metal roof curb, but by integral members of roof structure.