

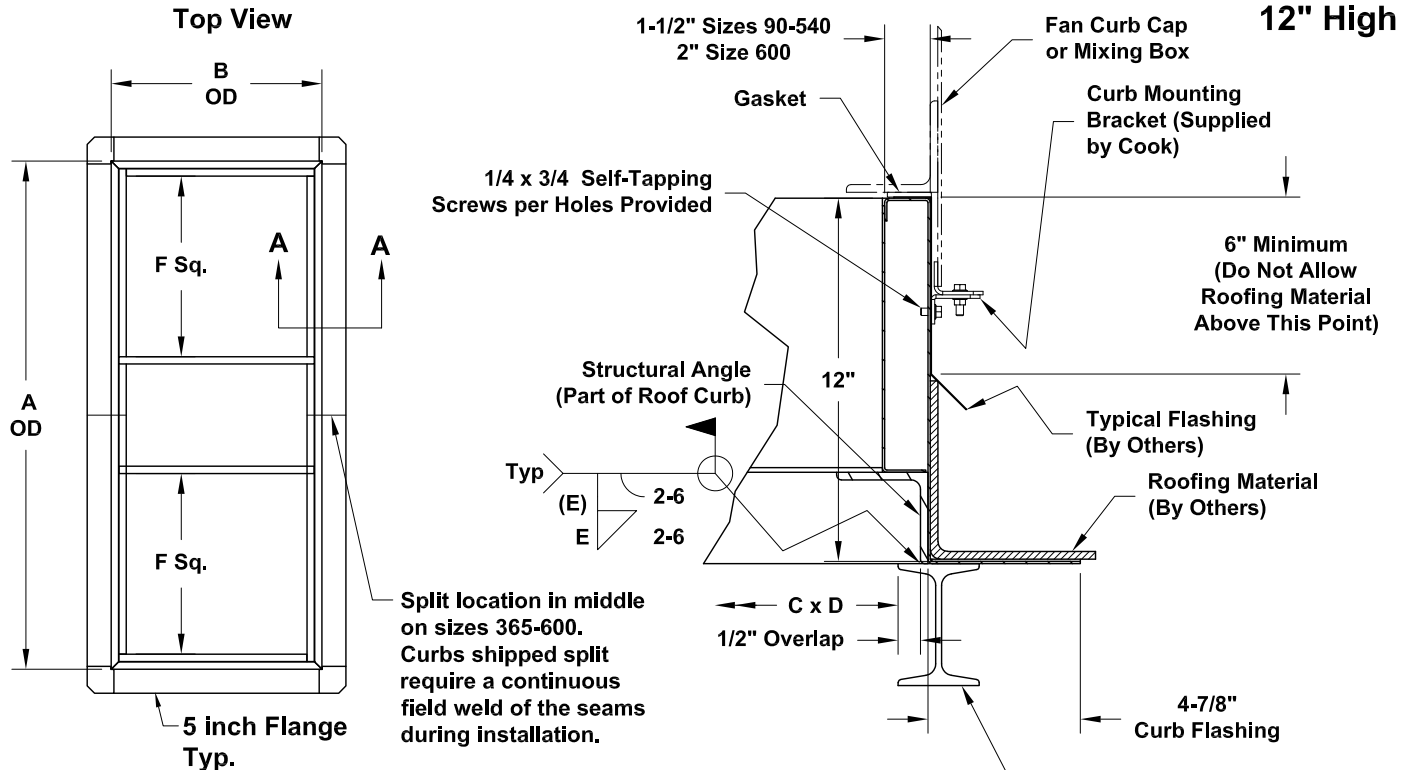


DATE: _____

PROJECT: _____

LOCATION: _____

Coated Steel Lab Exhauster Curb QMXLE, QMXHPL QMXVP, QMXHPVP Dual (1x2) Configuration

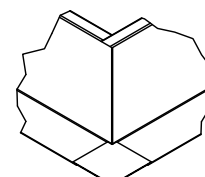
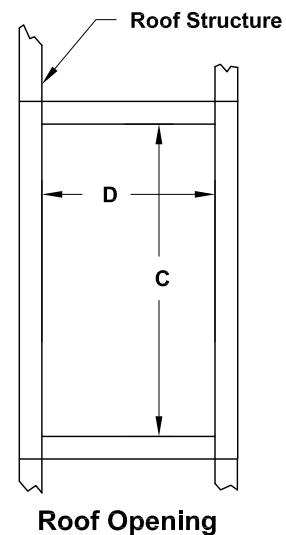
***CURB TO BE COATED SAME AS UNIT**

Note: All Lab Exhaust Curbs require a steel integral member of the roof structure with an inside dimension of "C" x "D". The curb must have the structural angle field welded to the steel roof structure. Steel roof structure to be determined by the engineer of record.

DIMENSION DATA

Size	A	B	C	D	E	F	Gauge Thickness	Approx. Curb Wt.
90	63-5/16	27-3/16	61-5/8	25-1/2	1/4	21	12	296
120	63-5/16	27-3/16	61-5/8	25-1/2	1/4	21	12	296
135	63-5/16	27-1/8	61-5/8	25-7/16	1/4	20-15/16	12	296
150	67-5/16	29-1/8	65-5/8	27-7/16	1/4	22-15/16	12	317
165	71-5/16	31-1/8	69-5/8	29-7/16	1/4	24-15/16	12	327
180	83-5/16	33-1/8	81-5/8	31-7/16	1/4	26-15/16	12	381
202	89-1/8	36-15/16	87-7/16	35-1/4	1/4	30-3/4	12	415
225	92-1/8	40-15/16	90-7/16	39-1/4	1/4	34-3/4	12	444
245	107-1/8	42-15/16	105-7/16	41-1/4	1/4	36-3/4	12	494
270	111-1/8	46-15/16	109-7/16	45-1/4	1/4	40-3/4	12	524
300	131-1/8	50-15/16	129-7/16	49-1/4	1/4	44-3/4	12	599
330	135-1/8	54-13/16	133-7/16	53-1/8	1/4	48-5/8	12	629
365	158	60-3/4	156-5/16	59-1/16	1/4	54-9/16	12	722
402	163	65-5/8	161-5/16	63-15/16	1/4	59-7/16	12	760
445	170	72-5/8	168-5/16	70-15/16	1/4	66-7/16	12	813
490	191	78-1/2	189	76-1/2	3/8	72-1/4	10	1206
540	200-7/8	85-3/8	198-7/8	83-3/8	3/8	79-1/8	10	1288
600	211-7/8	94-3/8	209-3/4	92-1/4	3/8	88	7	1713

ALL DIMENSIONS IN INCHES. WEIGHTS IN LBS.,



Curb Corner X0164R02