

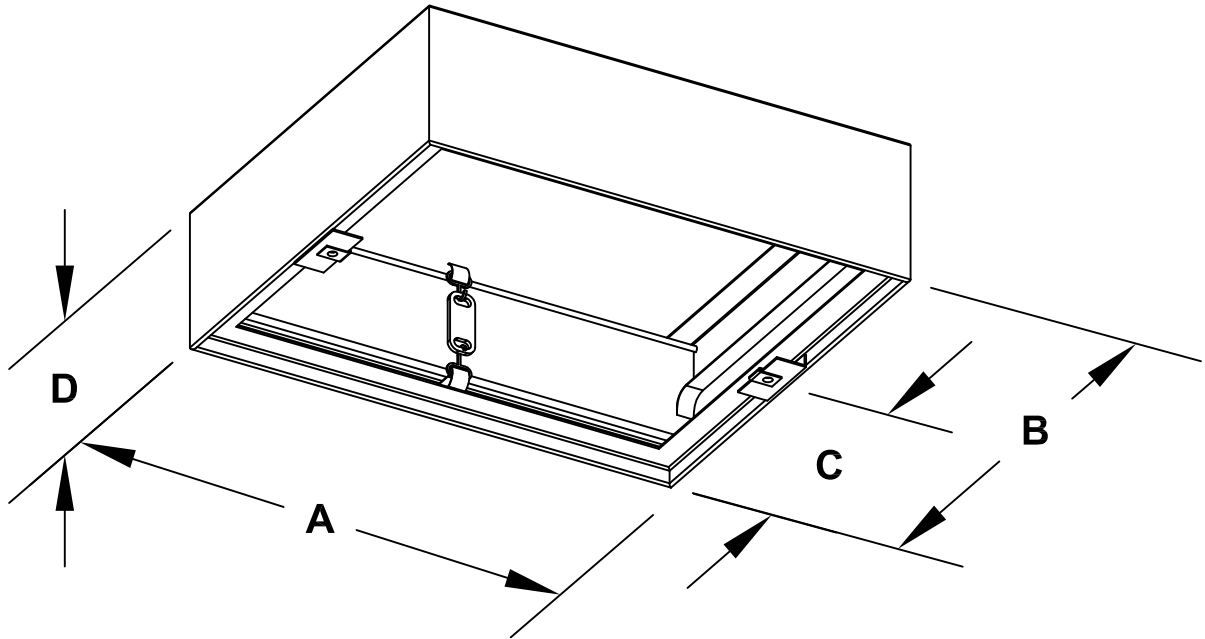
MARK: _____

PROJECT: _____

DATE: _____



Accessory Data Sheet Ceiling Radiation Damper



Standard Construction Features:

Loren Cook Company's curtain style ceiling radiation dampers are classified by UL to function as heat barriers in air handling penetrations through fire resistive membrane ceiling assemblies.

Meets the following requirements: UL 555C CLASSIFIED CEILING DAMPER (File # R9660), NFPA 90A, BOCA, SBCCA, UBC, The City of New York MEA. No. 366-03-M and California State Fire Marshall: Fire Damper Listing No. 3225-0935:0102.

DIMENSION DATA

Model No.	Model No.	A	B	C	D
CRD1	120-180	14-1/2	12-3/8	6-3/16	4-3/16
CRD2	220-240	12-5/8	10-1/8	5-1/16	4-3/16
CRD3	320-340	12-5/8	11-1/8	5-9/16	4-3/16
CRD4	420-740	17-5/8	12-1/4	6-1/8	4-3/16

ALL DIMENSIONS IN INCHES.