



COOK

MOTOR CONTROLLER COVER

MARK: _____

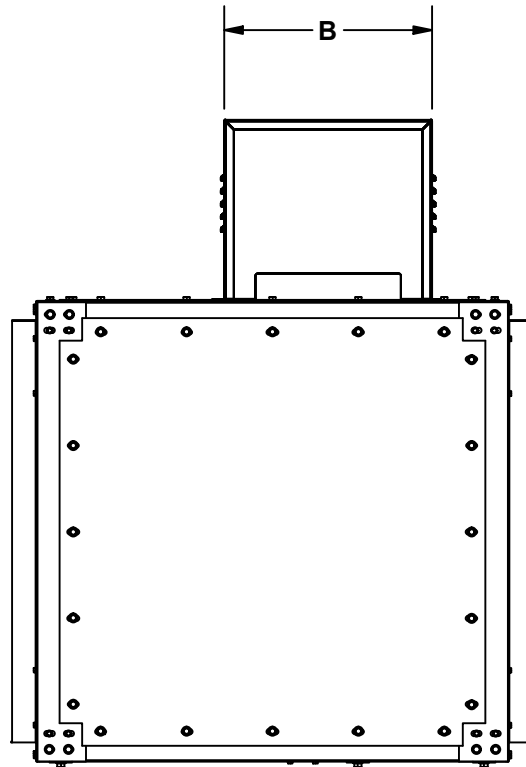
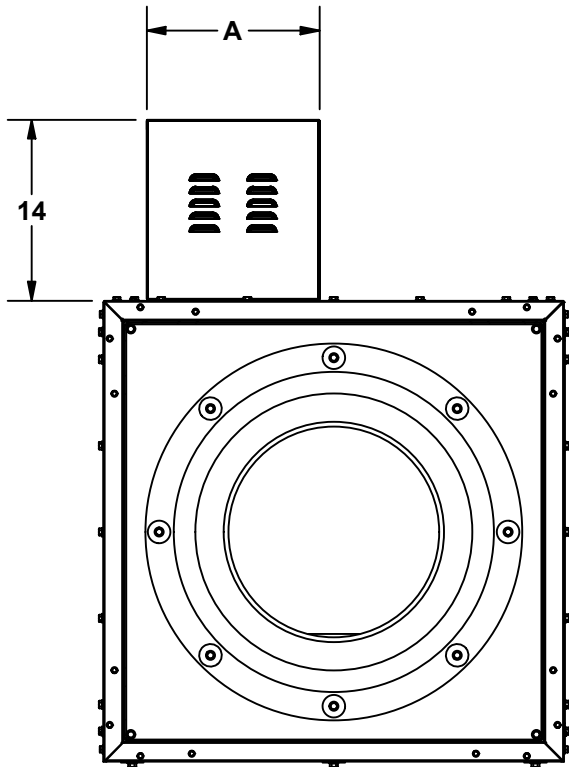
PROJECT: _____

DATE: _____

Accessory Data Sheet
SQND, SQND-HP & SQND-XP

Sizes 100-365

Weight = 8



DIMENSION DATA

Size	A	B
60-100	13 1/2	16 1/4
120-135	13 11/16	14 3/4
150-365	13 1/2	16 1/4

ALL DIMENSIONS IN INCHES. WEIGHTS IN LBS., LESS MOTOR.

SQ105R01