

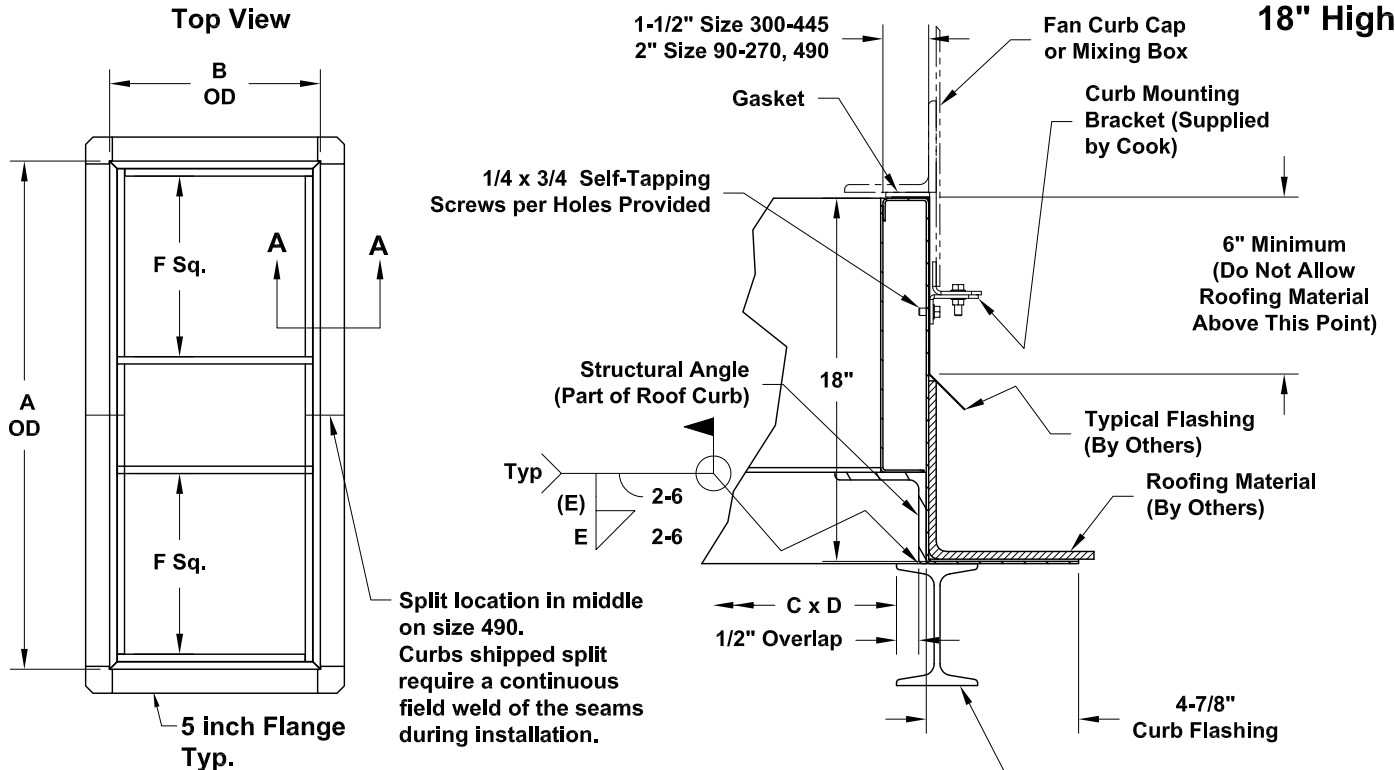
DATE: _____

PROJECT: _____

LOCATION: _____

Accessory Data Sheet
Coated Steel Lab Exhaust Curb
TCNHBLE
Dual (1x2) Configuration

18" High



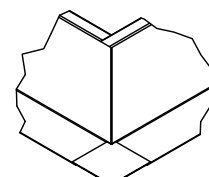
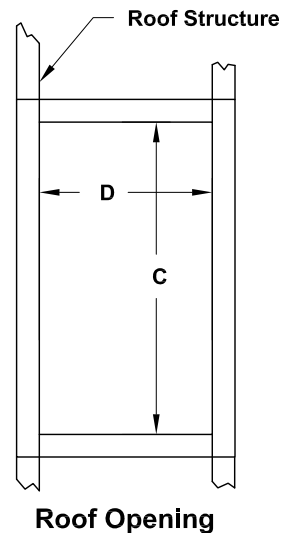
***CURB TO BE COATED SAME AS UNIT**

Note: All Lab Exhaust Curbs require a steel integral member of the roof structure with an inside dimension of "C" x "D". The curb must have the structural angle field welded to the steel roof structure. Steel roof structure to be determined by the engineer of record.

DIMENSION DATA

Size	A	B	C	D	E	F	Gauge Thickness	Approx. Curb Wt.
100	50-5/16	23-1/16	48-7/16	21-3/16	1/4	16-7/8	7	469
120	58-5/16	27-1/16	56-7/16	25-3/16	1/4	20-7/8	7	552
135	62-5/16	29	60-7/16	27-1/8	1/4	22-13/16	7	594
150	66-5/16	31	64-7/16	29-1/8	1/4	24-13/16	7	635
165	70-5/16	33	68-7/16	31-1/8	1/4	26-13/16	7	677
180	78-3/16	36-7/8	76-5/16	35	1/4	30-11/16	7	759
195	86-3/16	40-7/8	84-5/16	39	1/4	34-11/16	7	842
210	90-3/16	42-7/8	88-5/16	41	1/4	36-11/16	7	884
225	98-3/16	46-7/8	96-5/16	45	1/4	40-11/16	7	968
245	102-3/16	48-7/8	100-5/16	47	1/4	42-11/16	7	1008
270	110-3/16	52-7/8	108-5/16	51	1/4	46-11/16	7	1092
300	122-3/16	58-7/8	120-3/16	56-7/8	3/8	52-11/16	10	1047
330	126-1/16	60-3/4	124-1/16	58-3/4	3/8	54-9/16	10	1082
365	132-1/16	63-3/4	130-1/16	61-3/4	3/8	57-9/16	10	1136
402	146-1/16	70-3/4	144-1/16	68-3/4	3/8	64-9/16	10	1260
445	156-1/16	75-3/4	154-1/16	73-3/4	3/8	69-9/16	10	1350
490	170-1/16	82-3/4	167-15/16	80-5/8	3/8	76-1/2	7	1846

ALL DIMENSIONS IN INCHES. WEIGHTS IN LBS.



Curb Corner X0167R01