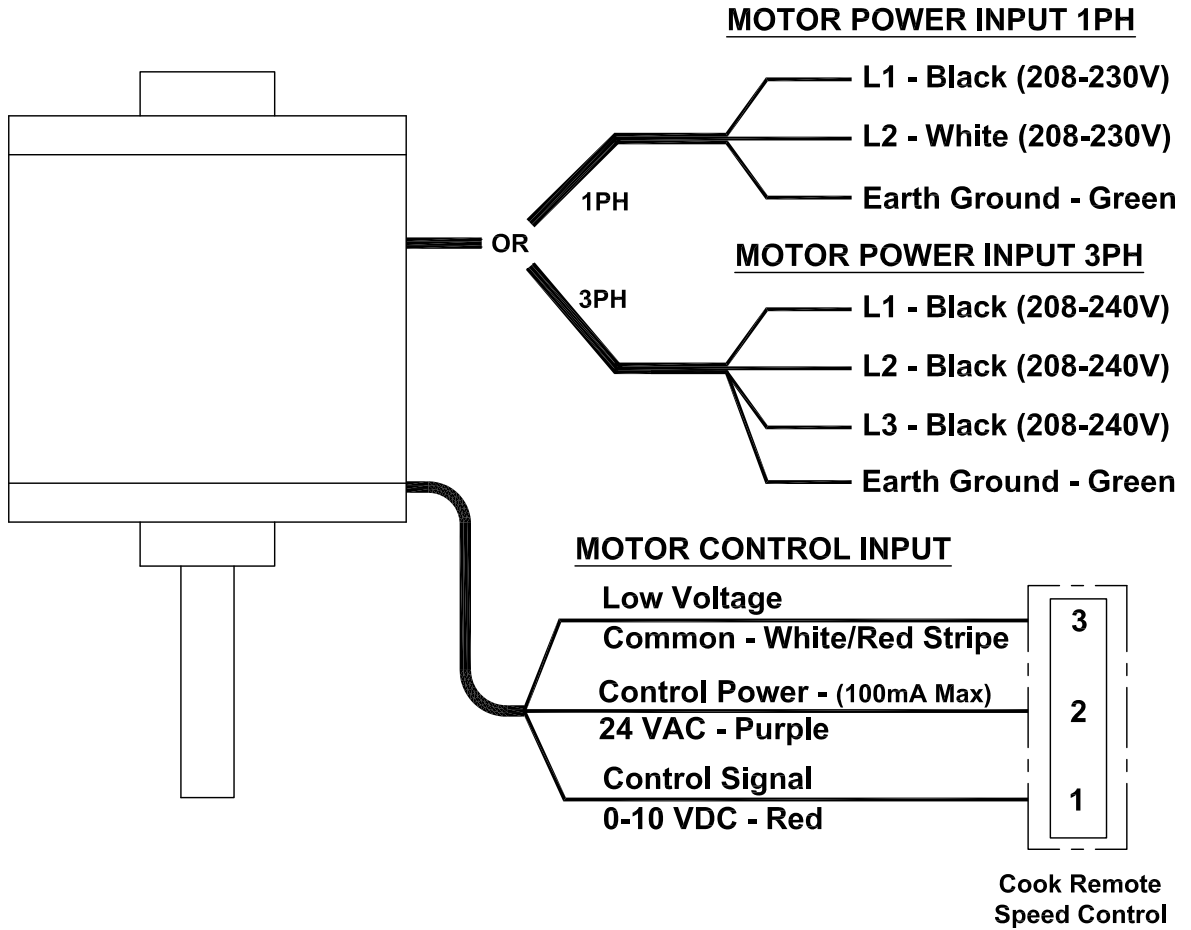


MARK: _____

PROJECT: _____

DATE: _____

Accessory Data Sheet
Internal Speed Control
Electronically Commutated (EC) Motor
Type T



STANDARD CONSTRUCTION FEATURES:

Motor has an adjustable speed range of 350 to 1800 - Factory mounted potentiometer included for adjusting motor speed.