



# COOK

# CAC-IHPWD

DATE: \_\_\_\_\_

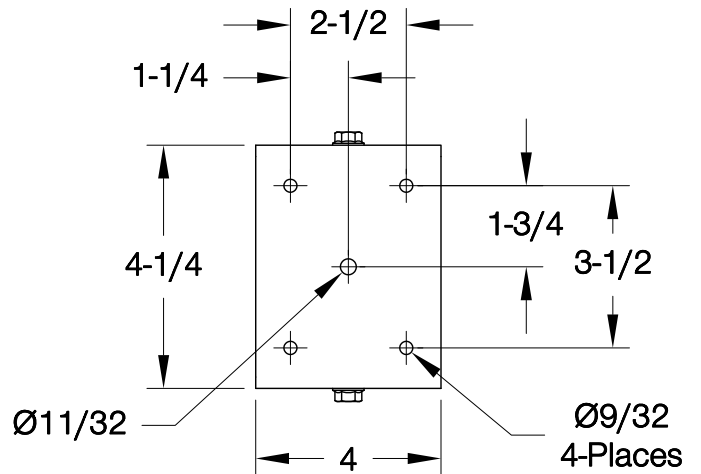
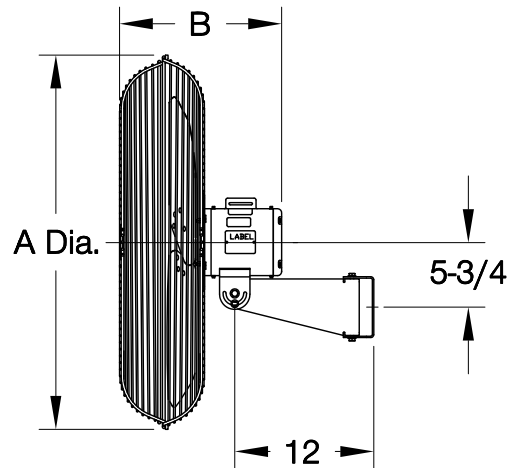
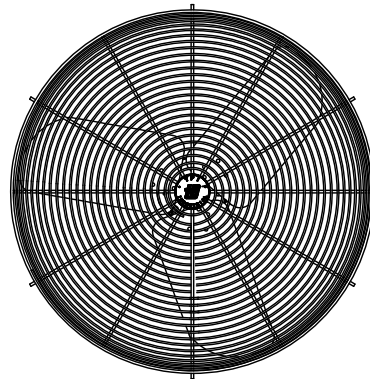
PROJECT: \_\_\_\_\_

LOCATION: \_\_\_\_\_

Washdown Air Circulator

Commercial Duty

Wall Mounted



**DIMENSION DATA**

Size	A	B	Ship Wt.
20	22	14	49
24	27	14	51
30	33-1/2	14	55

ALL DIMENSIONS IN INCHES. WEIGHTS IN LBS.

**STANDARD CONSTRUCTION FEATURES:**

Aluminum paddle with steel hub/spider propeller – Locking tilt powder coated wall mounting bracket – OSHA compliant double locking, chrome plated steel wire guard – Single speed wash down rated totally enclosed permanently lubricated ball bearing motor.

**Wall Mount Hole Pattern**

QTY	MARK	CATALOG NUMBER