



**COOK**

**TLC-D**

DATE: \_\_\_\_\_

PROJECT: \_\_\_\_\_

LOCATION: \_\_\_\_\_



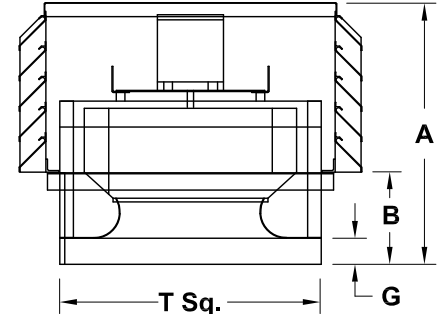
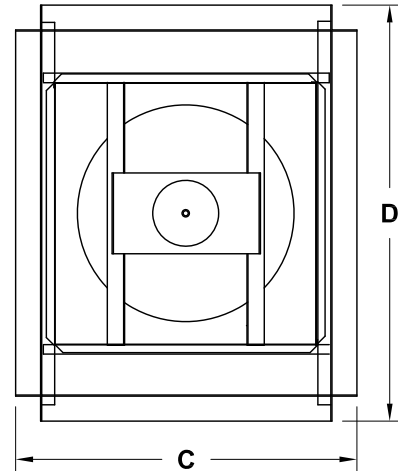
**Tiered Low-Contour Downblast  
Centrifugal Exhaust Ventilator  
Roof Mounted/Direct Drive**



**DIMENSION DATA**

Size	A	B	C	D	G	T Sq.	Unit **Wt.	Roof Opening Sq.*
70	16-7/8	4-1/4	27-1/2	36-1/4	2	18	51	13-1/2
90	17-3/8	4-3/4	27-1/2	36-1/4	2	18	51	13-1/2
100	17-3/8	4-3/4	27-1/2	36-1/4	2	18	51	13-1/2
120	22-1/2	5-7/8	29-1/2	37-1/4	2	20	67	15-1/2
135	22-3/4	6-1/8	29-1/2	37-1/4	2	20	68	15-1/2
150	23-7/8	7-1/4	33-1/2	42-1/4	2	24	80	19-1/2
165	24	7-3/8	33-1/2	42-1/4	2	24	81	19-1/2
180	28-3/8	8-1/4	39-5/8	51-1/2	3	30	104	25-1/2

ALL DIMENSIONS IN INCHES. WEIGHTS IN LBS.  
\* ROOF OPENING SIZE FOR CURBS SUPPLIED BY COOK ONLY.



**STANDARD CONSTRUCTION FEATURES:**

All aluminum housing - Extruded aluminum tiers - Backward inclined all aluminum wheel - Welded curb cap corners - Removable top cap - Birdscreen - Vibration isolators - Permanently lubricated ball bearing motors - Corrosion resistant fasteners.

**\*\*Note:** Weight does not include motor. Fan must have a motor weight added for unit operating weight.

**ACCESSORIES**

1. DISCONNECT SWITCH
2. FAN SPEED CONTROL
3. GRAVITY BACKDRAFT DAMPER
4. MOTORIZED BACKDRAFT DAMPER
5. RCG GALVANIZED CURB
6. RCA ALUMINUM CURB
7. EPOXY COATING
8. ANTI-CONDENSATE COATING
9. LESS BIRDSCREEN
10. SPECIAL

QTY	MARK	CATALOG NUMBER	FAN INFORMATION			MOTOR INFORMATION					ACCESSORIES		
			CFM	SP	RPM	HP	VOLTS	HZ	PH	TYPE			

**MOTOR TYPE:** ODP (OPEN DRIP-PROOF); 2 SP (2 SPEED); X-PRF (EXPLOSION PROOF); TEFC (TOTALLY ENCLOSED FAN COOLED).

LC004R02