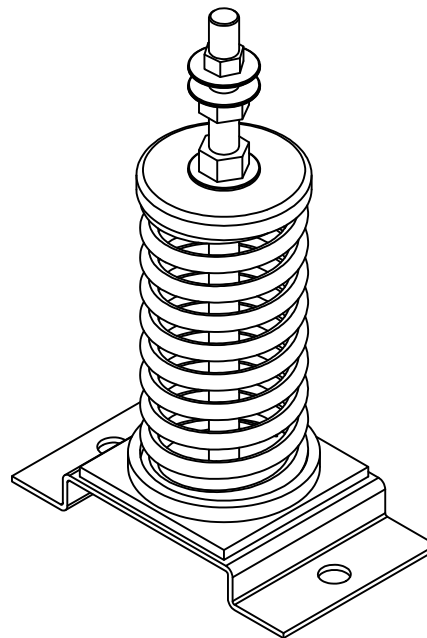
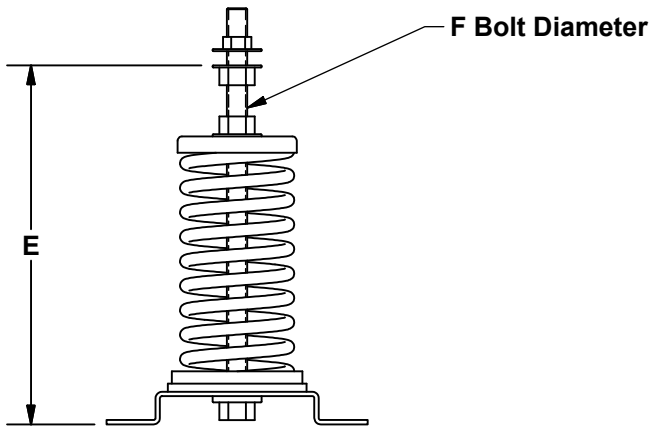
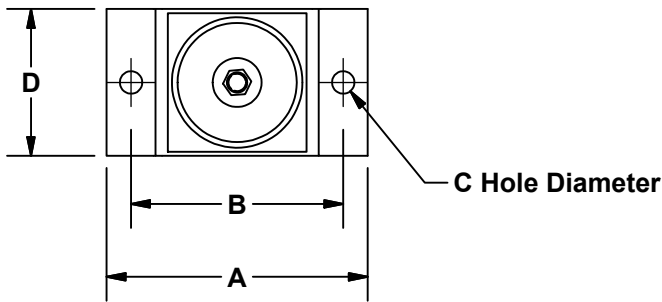




COOK Restrained, Spring Floor

MARK: _____
 PROJECT: _____
 DATE: _____

**Restrained Spring
 Isolator
 Floor Mounted**



DIMENSION DATA

LC Model	Mfg.	Mfg. Model	Rated Deflect	Rated Load	Spr. Rate (lbs/in)	A	B	C	D	E	F	Unit Wt.
RS-70	KNC	FRS-1-70	1.36	70	51	4-3/4	3-3/4	7/16	3	6	1/2	2
RS-120	KNC	FRS-1-120	1.18	120	98	4-3/4	3-3/4	7/16	3	6	1/2	2
RS-220	KNC	FRS-1-220	1.07	220	196	4-3/4	3-3/4	7/16	3	6	1/2	2
RS-370	KNC	FRS-1-370	.96	370	366	4-3/4	3-3/4	7/16	3	6	1/2	2
RS-625	KNC	FRS-1-625	1.44	625	419	8	6-1/2	11/16	4-1/2	9	5/8	8
RS-1250	KNC	FRS-1-1250	1.09	1250	1096	8	6-1/2	11/16	4-1/2	9	5/8	8
RS-1700	KNC	FRS-1-1700	.95	1700	1700	8	6-1/2	11/16	4-1/2	9	5/8	8
RS-2200	KNC	FRS-1-2200	1.00	2200	2200	8	6-1/2	11/16	4-1/2	9	5/8	8
RS-3500	KNC	FRS-1-3500	1.00	3500	3500	8	6-1/2	11/16	4-1/2	9	5/8	8

ALL DIMENSIONS IN INCHES. WEIGHTS IN LBS.,
 ALL ISOLATORS LISTED ARE DESIGNED TO PROVIDE A MINIMUM OF 50% OVERLOAD CAPACITY.