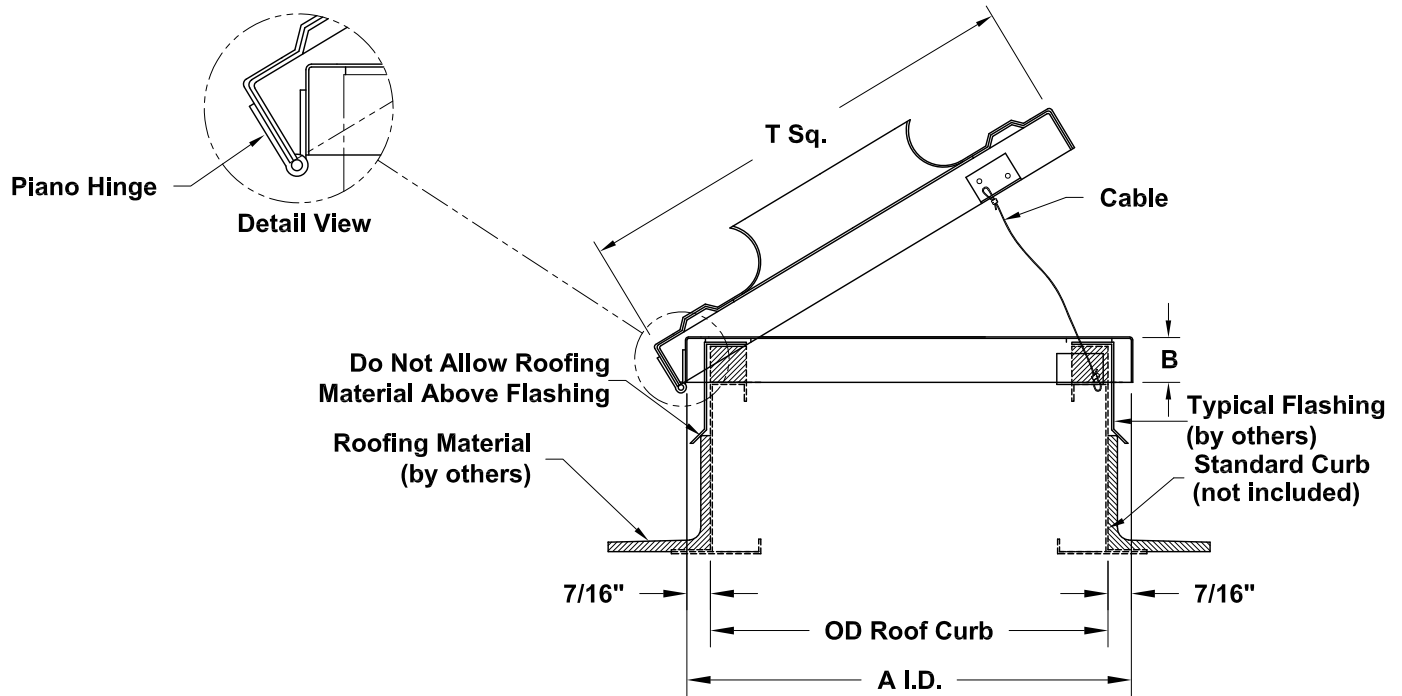


DATE: _____
 PROJECT: _____
 LOCATION: _____

Accessory Data Sheet
 Centrifugal Roof Exhausters



DIMENSION DATA

T Sq. Size	A	B	Cable Length	OD Roof Curb	Ship Wt. Alum.	Ship Wt. Galv.
16	15-3/8	2-1/4	26	14-1/2	5	14
18	17-3/8	2-1/4	29	16-1/2	5	15
20	19-3/8	2-1/4	32	18-1/2	6	19
24	23-3/8	2-1/4	37	22-1/2	8	23
28	27-3/8	2-1/4	43	26-1/2	11	31
30	29-3/8	3-1/4	46	28-1/2	12	34
32	31-3/8	3-1/4	49	30-1/2	12	36
36*	35-3/8	3-1/4	54	34-1/2	16	47
42*	41-3/8	3-1/4	63	40-1/2	21	60
48*	47-3/8	3-1/4	71	46-1/2	25	73
54*	53-3/8	3-1/4	80	52-1/2	30	88

ALL DIMENSIONS IN INCHES. WEIGHT IN LBS.
 *Consult factory regarding availability