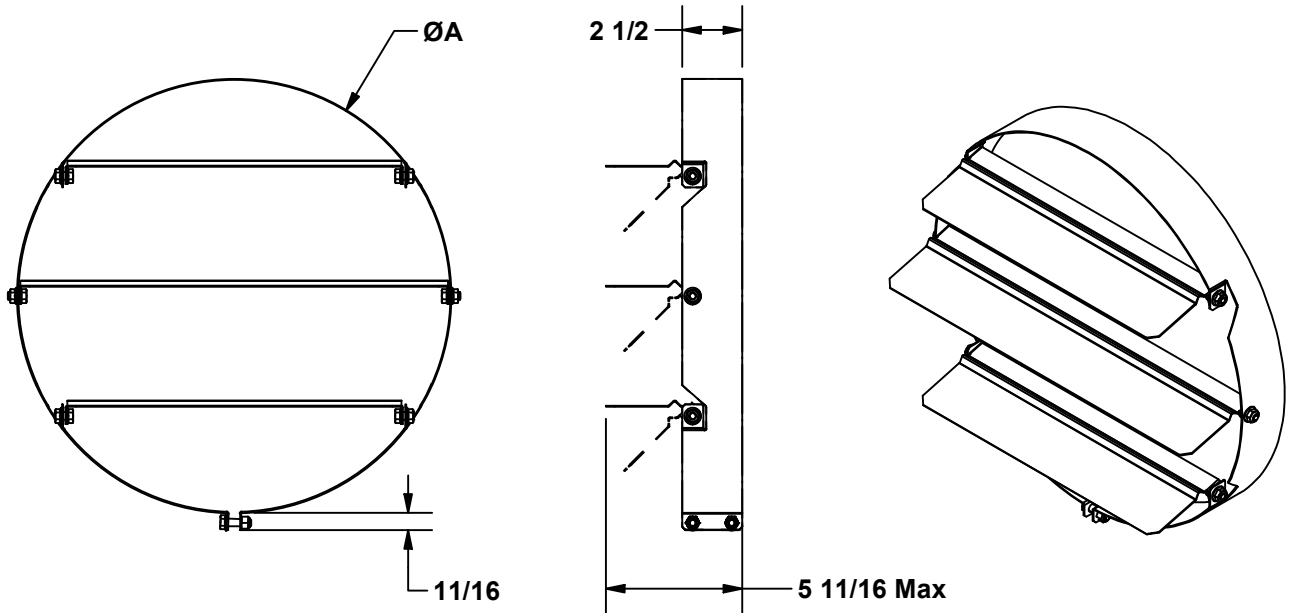


MARK: _____

Jet Fan Outlet Diverter

PROJECT: _____

DATE: _____



STANDARD CONSTRUCTION FEATURES:
 18 ga galvanized steel blades and mounting ring. 360° discharge angle adjustment.

DIMENSION DATA

Size	A	Unit Wt.
31	16	4.2
36	18	4.6
41	20	5.2

ALL DIMENSIONS IN INCHES. WEIGHTS IN LBS.