



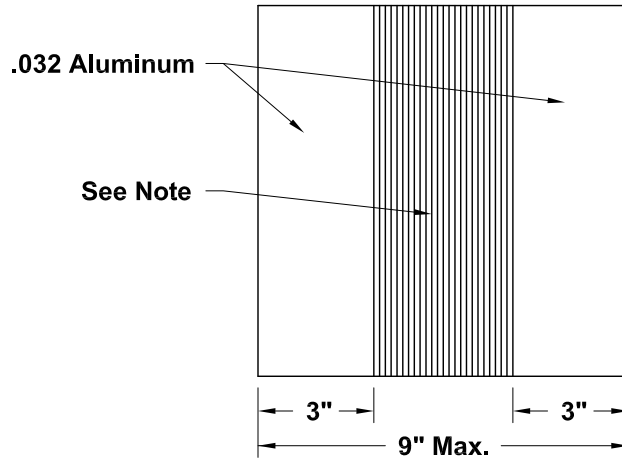
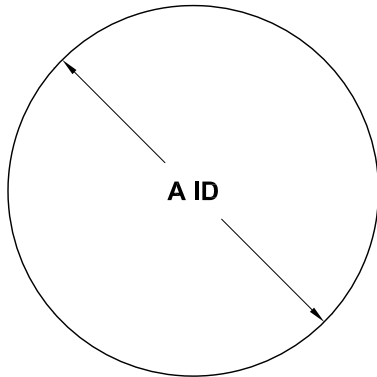
COOK Flexible Inlet Connector

DATE: _____

PROJECT: _____

LOCATION: _____

Accessory Data Sheet
CA,CF,CPFB,CPFD,CIC,CPL,
CPS-A,CPA-A,CPS,CPA,CPV,CAVP



STANDARD CONSTRUCTION FEATURES:

Neoprene Coated Fiberglass fabric - 3" aluminum strips.

Note:

1. Consult factory for use of Hypalon Coated Fiberglass fabric for additional UV and chemical resistance.
2. All Lab Exhauster fans ordered with flex duct connectors will be the Hypalon type flex duct.

DIMENSION DATA

Size	A			
	ARR 1, 9 & 10			ARR 3
	CA,CF,CIC	CPS-A,CPA-A	CPS,CPA,CPV	CA, CF, CPL
60	-	-	14-1/4	-
70	-	-	14-1/4	-
80	-	-	14-1/4	-
100	-	-	14-1/4	-
120	16-1/4	16-1/4	16-1/4	13-3/8
135	17-3/4	17-3/4	17-3/4	14-7/8
150	19-1/4	19-1/4	19-1/4	16-3/8
165	21-5/16	21-5/16	21-5/16	18
180	22-13/16	22-13/16	22-13/16	19-1/2
195	24-5/16	24-5/16	24-5/16	20-3/4
210	26-1/16	26-1/16	26-1/16	22-1/2
225	27-9/16	27-9/16	27-9/16	24
245	29-9/16	29-9/16	29-9/16	26
270	32-1/16	32-1/16	32-1/16	28-1/4
300	35-1/16	35-1/16	35-1/16	31-1/4
330	38-1/16	38-1/16	38-1/16	34-1/4
365	41-9/16	41-9/16	41-9/16	37-3/4
402	45-5/16	45-5/16	45-5/16	41-1/2
445	49-9/16	49-9/16	49-9/16	45-3/4
490	55-1/8	55-1/8	55-1/8	51-1/4
540	60-1/8	-	-	56-1/2
600	66-1/8	-	-	62-1/2
660	72-1/8	-	-	68-1/2
730	79-1/8	-	-	75-1/2

Size	A	
	CPFB	CPFD
6	-	7-1/8
7	-	7-1/8
9	-	9-1/8
10	-	9-1/8
12	-	12-5/8
100	14-5/8	-
120	16-7/8	-
150	19-5/8	-
180	22-5/8	-
220	27-3/8	-
250	29-3/8	-
270	31-7/8	-
300	34-7/8	-

ALL DIMENSIONS IN INCHES.

X0701R03