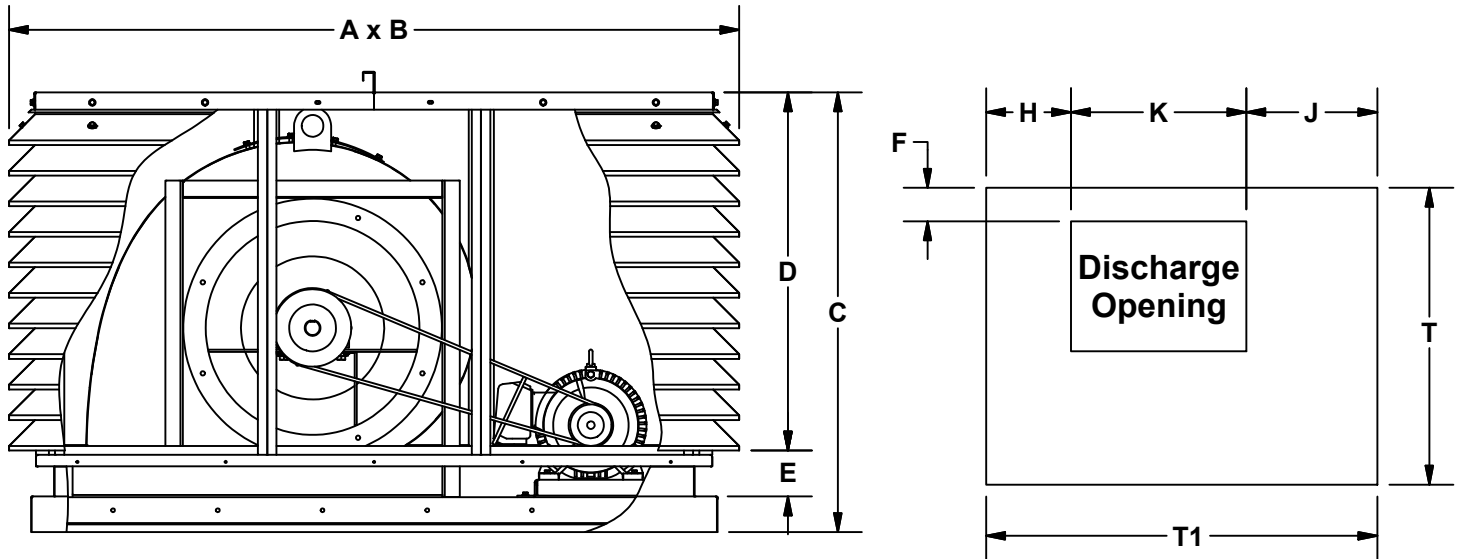


MARK: _____
 PROJECT: _____
 DATE: _____



**Centrifugal Filtered Supply
 Roof Mounted**



Size	Total Number of Filters	Long Side		Short Side	
		Number of Filters	Filter Size	Number of Filters	Filter Size
120	8	4	20 5/8 x 16 1/8	4	20 5/8 x 16 1/8
135	8	4	23 1/4 x 19 5/8	4	23 1/4 x 19 5/8
150	8	4	24 5/8 x 23 1/8	4	24 5/8 x 23 1/8
165	8	4	26 5/8 x 26 1/8	4	26 5/8 x 26 1/8
180	12	6	30 1/8 x 19	6	30 1/8 x 19
195	12	6	33 5/8 x 20	6	33 5/8 x 20
210	12	6	37 1/8 x 21	6	27 1/8 x 21
225	12	6	40 5/8 x 21 1/8	6	40 5/8 x 21 7/8
245	12	6	40 5/8 x 23 3/4	6	40 5/8 x 23 3/4
270	12	6	51 1/8 x 25 1/2	6	51 1/8 x 25 1/2
300	12	6	54 5/8 x 27 1/4	6	54 5/8 x 27 1/4
330	20	12	33 3/8 x 30 7/8	8	40 5/8 x 30 7/8
365	20	12	36 1/4 x 32 5/8	8	40 5/8 x 32 5/8

ALL DIMENSIONS IN INCHES. ALL FILTERS 2".

STANDARD CONSTRUCTION FEATURES:

UL 705 Listed - Continuously welded, high efficiency airfoil wheel - Extruded aluminum tiers with continuously welded and mitered corners - Removable aluminum top cap with welded corners - Permanent removable washable filters - Continuously welded heavy gauge blower housing.

DIMENSION DATA

Size	A	B	C	D	E	F	G	H	J	K	L	T	T1	Max. Mtr Frame	Unit Wt.
120	53	53	29 1/2	17 1/8	9 3/8 in	6 1/4	30	15 3/8	15 3/8	17 11/16	12 1/8	48 3/8	48 3/8	215T	494
135	58 1/4	58 1/4	31	20 5/8	7 1/8 in	6 1/4	33 3/4	16 7/8	16 7/8	19 15/16	13 5/8	53 5/8	53 5/8	215T	584
150	61 1/8	61 1/8	34 1/4	24 1/8	7 1/8 in	6 1/4	35	17 1/4	17 1/4	22	15 1/4	56 1/2	56 1/2	254T	634
165	63 7/8	63 7/8	37 7/8	27 5/8	7 1/4 in	6 1/4	36 1/16	17 5/8	17 5/8	24	16 15/16	59 1/4	59 1/4	254T	717
180	69 3/8	69 3/8	39 3/4	31 1/8	5 5/8 in	6 1/4	40	19 3/8	19 3/8	26 1/16	18 1/2	64 3/4	64 3/4	254T	845
195	72 1/4	72 1/4	42 3/8	34 5/8	4 3/4 in	6 1/4	41 7/8	19 5/8	19 5/8	28 7/16	19 1/2	67 5/8	67 5/8	256T	936
210	75 1/8	75 1/8	45 15/16	38 1/8	4 13/16 in	6 1/4	42 5/8	20 1/16	20 1/16	30 3/8	21 5/8	70 1/2	70 1/2	256T	1137
225	78	78	49 7/16	41 5/8	4 13/16 in	6 1/4	43 15/16	20 7/16	20 7/16	32 1/2	23 3/16	73 3/8	73 3/8	256T	1299
245	83 3/4	83 3/4	50 7/16	41 5/8	5 13/16 in	6 1/4	47 3/8	22 1/16	22 1/16	35 1/16	25 1/2	79 1/8	79 1/8	284T	1405
270	89	89	61 15/16	52 1/8	6 13/16 in	6 1/4	50 5/8	22 1/2	22 1/2	39 7/16	27 1/2	84 3/8	84 3/8	286T	1883
300	94 1/4	94 1/4	65 7/16	55 1/8	6 13/16 in	6 1/4	52 3/16	23 5/16	23 5/16	43	31 3/16	89 5/8	89 5/8	324T	2279
330	93	112 1/2	72 1/4	62 5/8	6 5/8 in	13 9/16	40 13/16	23 7/16	37 5/8	47 1/16	34 1/2	88 7/8	108 1/8	364T	2593
365	93	121	75 3/4	66 1/8	6 5/8 in	10 1/4	39 15/16	25 1/2	39 1/4	52 3/16	38 11/16	88 7/8	116 15/16	364T	2921

ALL DIMENSIONS IN INCHES. WEIGHTS IN LBS., LESS MOTOR.