



COOK

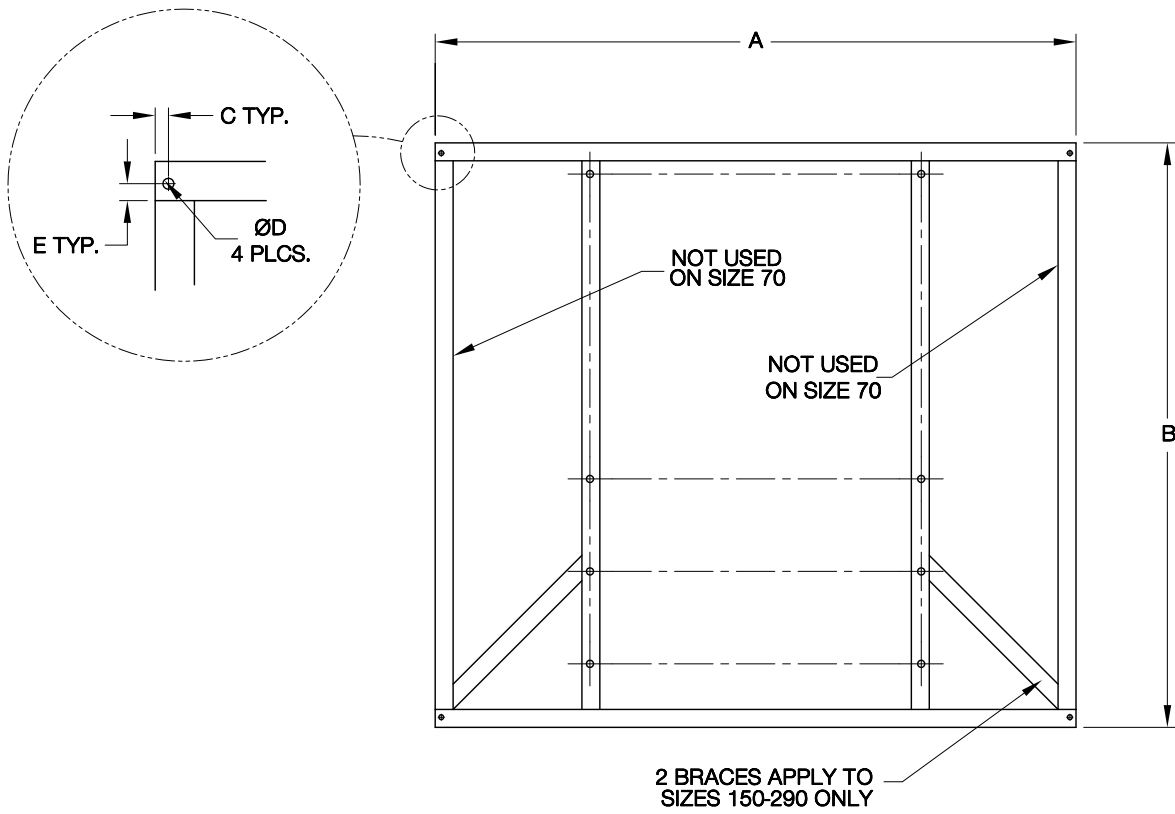
Isolation Base

DATE: _____

PROJECT: _____

LOCATION: _____

IMH
Arr. 9 & 10



SIZE	A	B	C	D	E	Channel Size
70	19-7/8	34	3/4	7/8	7/8	C4x5.4
90	27	35-5/8	3/4	7/8	7/8	C4x5.4
110	32-7/8	40-5/8	3/4	7/8	7/8	C4x5.4
130	38-7/8	43-5/8	3/4	7/8	7/8	C4x5.4
150	44-3/4	50-1/16	3/4	7/8	7/8	C4x5.4
170	50-3/4	52-3/4	3/4	7/8	7/8	C4x5.4
190	56-1/2	55-3/4	3/4	7/8	7/8	C4x5.4
210	62-1/2	60-7/8	7/8	7/8	1-1/8	C6x10.5
230	68-5/8	66-3/4	7/8	7/8	1-1/8	C6x10.5
260	82-3/8	70-3/16	7/8	7/8	1-1/8	C6x10.5
290	91-3/4	75-3/16	7/8	1	1-3/8	C8x11.5