

MARK: _____
 PROJECT: _____
 DATE: _____

Accessory Data Sheet
Variable Frequency Drive
Micro Drive
IP20
Invertek E3 Series
Single Phase

SPECIFICATIONS (PSC Motors Only):

Input Range: 110-115±10% VAC Single Phase / 48-62Hz
 Output Ratings: Output Power 110V Single Phase 1/2-3/4 HP
 Overload Capacity 150% Overload for 60 sec.
 Output Frequency 0~120Hz, .1Hz resolution

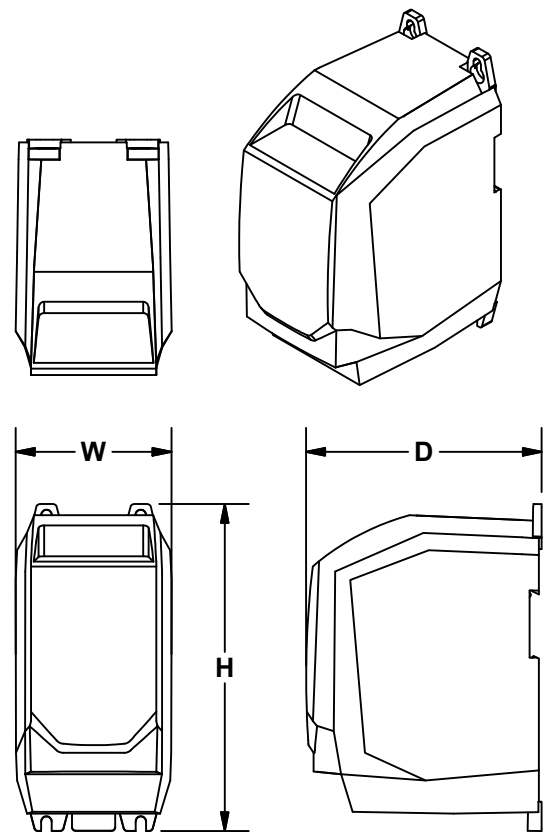
Ambient Condition: Operating Temperature 10 to 40°C
 Altitude up to 2000m maximum UL approved
 Above 1000m derate by 1% per 100m

Enclosure: IP20
 Programming: Built in keypad

Control Specifications: Control Method single phase V/F with starting boost
 PWM Frequency 4-32kHz Effective
 Stopping Modes:
 Ramp to stop adjustable .1 to 600 seconds
 Coast to stop
 Motor flux braking
 Skip Frequency single point user adjustable
 Setpoint Control
 MODBUS RTU, Profibus DP, DeviceNet, EthernetIP

I/O Specifications: Power Supply 24 Volt DC, 100mA,
 10 Volt DC, 5mA for potentiometer
 Programmable Inputs: 4 Total, 2 Digital, 2 D/A selectable
 Programmable Outputs: 2 Total, 1 D/A selectable, 1 relay
 Relay Output: Maximum 250V/6A AC, 30V/5A DC
 Analog Output: 0 to 10 Volt
 Internal PID control with feedback

Control Features:
 Standards
 Compliance: UL, cUL



Size VO1A10NOOA shown.

DIMENSION DATA

Catalog No.	Voltage	Max HP	Output*	H	W	D	Wt.
VO1A10N00A	110-115	1/2	7.0	6.81	3.27	4.84	2.4
VO1A11N00A	110-115	3/4	10.5	8.70	4.33	5.91	5.7

ALL DIMENSIONS IN INCHES. WEIGHTS IN LBS.
 *RATED OUTPUT CURRENT (AMPS)