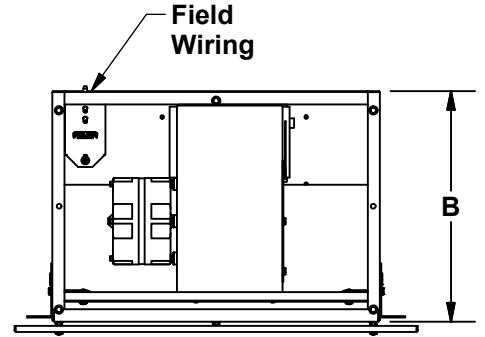
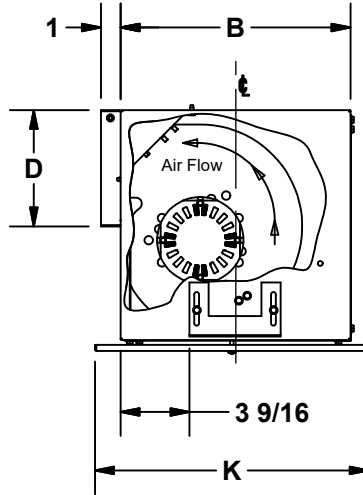
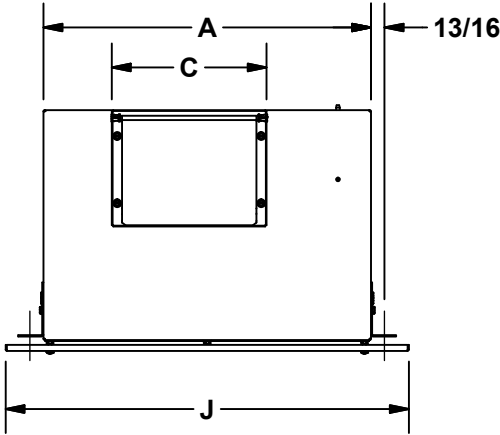


MARK: _____
 PROJECT: _____
 DATE: _____



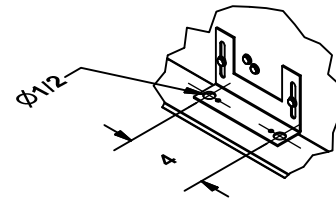
Ceiling and Wall Blowers
300, 500, 700 Series
Vari-Flow®



CATALOG NUMBER DEFINITION:

GCVF - 300

Fan Size
 Model: GC = Gemini (Ceiling Mount)
 VF = VariFlow® (EC Motor)



**MOUNTING BRACKET
 DETAIL**

ACCESSORIES

- 1. FAN SPEED CONTROL (2 Speed & Remote)
- 2. ROOF JACK
- 3. ROOF CAP
- 4. WALL CAP
- 5. EAVE ELBOW (300-500)
- 6. DELUXE ALUMINUM GRILLE
- 7. FILTER
- 8. BRICK VENT (500)
- 9. CEILING RADIATION DAMPER (500)
- 10. HANGING ISOLATOR KIT
- 11. TIME DELAY SWITCH
- 12. 277 VOLT TRANSFORMER
- 13. 8" ROUND WALL CAP W/ DAMPER (300-500)
- 14. 6" & 8" ROUND DUCT ADAPTOR (300-500)
- 15. ROOF CURB
- 16. STEEL GRILLE (300)
- 17. UNIVERSAL CONTROLLER
- 18. AIR BALANCE KIT
- 19. PRESSURE CONTROLLER
- 20. FILTER

STANDARD CONSTRUCTION FEATURES:

Forward curved galvanized steel fan wheels - Corrosion resistant galvanized steel fan housing - Acoustically insulated housing - Aluminum backdraft damper with solid aluminum hinge rod mounted in nylon bushings - Permanently lubricated variable speed electronically commutated motor with built-in electronic overload protection and disconnect plug - Interchangeable panels with removable fasteners allows the discharge to be easily changed - Internal wiring box with disconnect receptacle - Powder-painted white steel grille for size 500 & 700 - Plastic grill standard on size 300.

DIMENSION DATA

Fan Size GCVF-	DIM A	DIM B	DIM C	DIM D	Steel Grille Dim J	Steel Grille Dim K	Deluxe Alum Grille Dim J	Deluxe Alum Grille Dim K	Plastic Grille Dim J	Plastic Grille Dim K	Ship Wt.
300	12 3/8	10 3/4	8	6	16 3/8	13 5/8	14 1/4	12 1/4	15 1/2	13 1/4	26
500	17	11 7/8	8	6	21	14 1/4	18 3/4	13 3/4	-	-	33
700	21	11 7/8	10 1/2	4 3/4	25	14 1/4	22 11/16	13 3/4	-	-	37

ALL DIMENSIONS IN INCHES. WEIGHTS IN LBS.

QTY	MARK	CATALOG NUMBER (see above)	FAN INFORMATION			MOTOR INFORMATION					ACCESSORIES	
			CFM	SP	RPM	HP	VOLTS	HZ	PH	TYPE		

MOTOR TYPE: EC (Electronically Commutated)