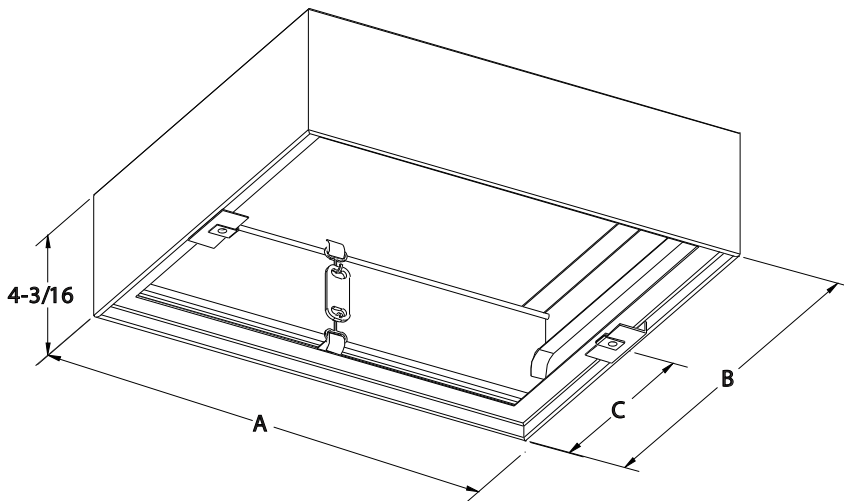




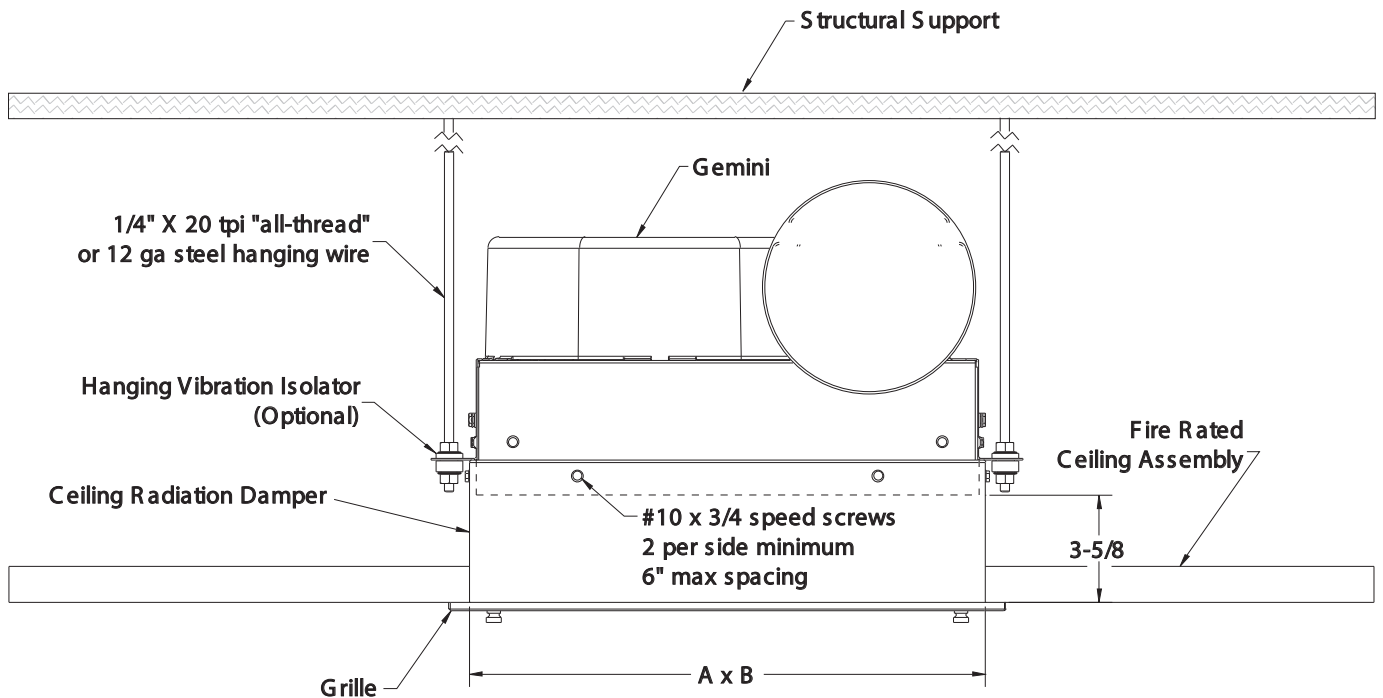
# COOK

## CURTAIN STYLE CEILING RADIATION DAMPER Installation Instruction INSTALLATION, OPERATION AND MAINTENANCE MANUAL

Loren Cook Company's curtain style ceiling radiation damper models CRD1, CRD2, CRD3 and CRD4 are classified by UL to function as heat barriers in air handling penetrations through fire resistive membrane ceiling assemblies. These dampers are for use in lieu of hinged door type dampers in fire resistive floor-ceiling or roof-ceiling designs which contain air ducts and specify hinged door type dampers over each duct outlet, as covered in UL's Fire Resistance Directory. The CRD dampers can be installed either with a specific size Loren Cook Company Model Gemini fan as a listed fan and damper assembly or as a standalone damper. The following installation instructions show the recommended installation procedures for the CRD's with the Gemini fan. If the CRD is installed as a stand-alone damper, then a 16 ga. steel support channel must be attached to the damper. Use 12 SWG galvanized steel wire or all thread to attach the damper to a supporting structural member. Where it is necessary to cut a main runner or cross tee, each cut end shall be supported by a vertical No. 12 SWG hanger wire. A 1/2" (13mm) clearance shall be maintained between the duct outlet and each cut end at main runner and cross tee. The duct outlet shall be located so that no more than one main runner or cross tee is cut when penetrating the ceiling membrane. Consult with local authorities that have jurisdiction with regard to local codes and guidelines regarding installation.



CRD Model #	Gemini Fan Model	A	B	C
CRD 1	120	14 1/4	12 1/4	6 3/16
CRD 1	140	14 1/4	12 1/4	6 3/16
CRD 1	160	14 1/4	12 1/4	6 3/16
CRD 1	180	14 1/4	12 1/4	6 3/16
CRD 2	220, 240	12 3/4	10	5 1/16
CRD 3	320, 340	12 3/4	11	5 9/16
CRD 4	420	17 1/2	12 1/4	6 1/8
CRD 4	520	17 1/2	12 1/4	6 1/8
CRD 4	620	17 1/2	12 1/4	6 1/8
CRD 4	640	17 1/2	12 1/4	6 1/8
CRD 4	720	17 1/2	12 1/4	6 1/8
CRD 4	740	17 1/2	12 1/4	6 1/8
CRD 5	700VF	21 3/8	12 1/4	6 1/8



Meets NFPA 90A requirements.  
Meets BOCA, SBCCA, UBC requirements.  
The City of New York 460-88-5A  
California State Fire Marshall 3225-0935:102

