



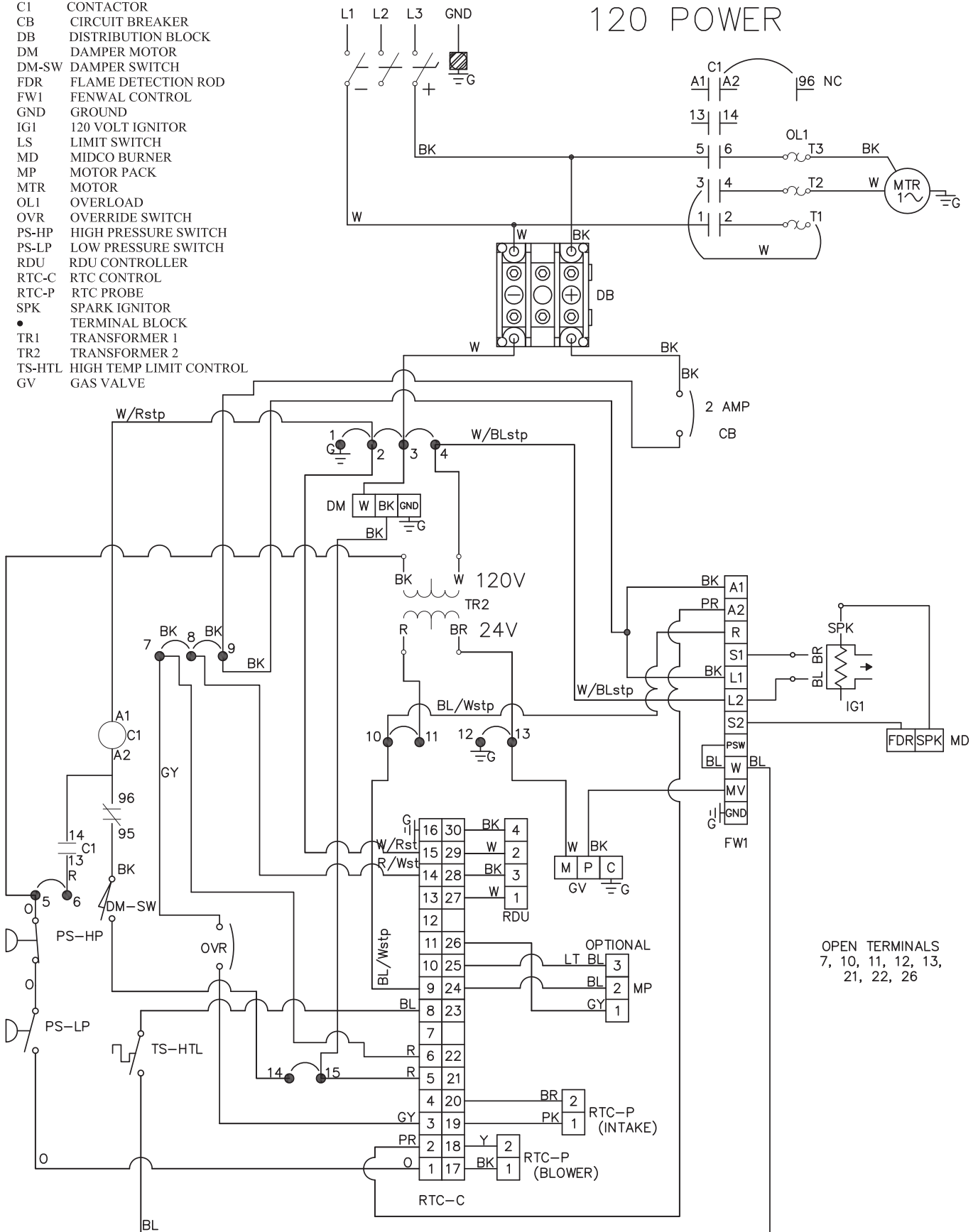
COOK

Heated Makeup Direct: A Direct Fire Make-Up Air Unit Wiring Supplements

HMD

LEGEND

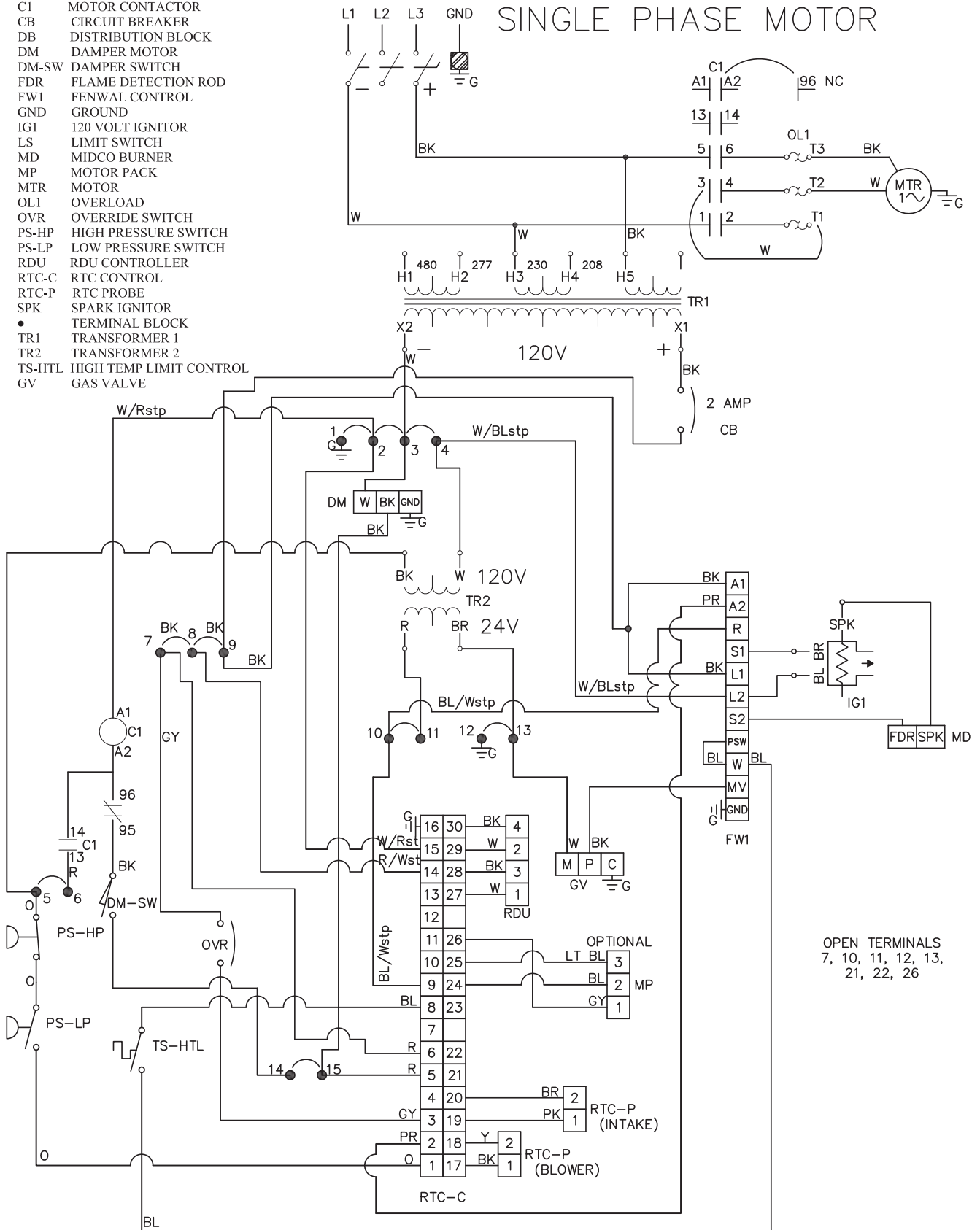
- C1 CONTACTOR
- CB CIRCUIT BREAKER
- DB DISTRIBUTION BLOCK
- DM DAMPER MOTOR
- DM-SW DAMPER SWITCH
- FDR FLAME DETECTION ROD
- FW1 FENWAL CONTROL
- GND GROUND
- IG1 120 VOLT IGNITOR
- LS LIMIT SWITCH
- MD MIDCO BURNER
- MP MOTOR PACK
- MTR MOTOR
- OL1 OVERLOAD
- OVR OVERRIDE SWITCH
- PS-HP HIGH PRESSURE SWITCH
- PS-LP LOW PRESSURE SWITCH
- RDU RDU CONTROLLER
- RTC-C RTC CONTROL
- RTC-P RTC PROBE
- SPK SPARK IGNITOR
- TERMINAL BLOCK
- TR1 TRANSFORMER 1
- TR2 TRANSFORMER 2
- TS-HTL HIGH TEMP LIMIT CONTROL
- GV GAS VALVE



LEGEND

- C1 MOTOR CONTACTOR
- CB CIRCUIT BREAKER
- DB DISTRIBUTION BLOCK
- DM DAMPER MOTOR
- DM-SW DAMPER SWITCH
- FDR FLAME DETECTION ROD
- FW1 FENWAL CONTROL
- GND GROUND
- IG1 120 VOLT IGNITOR
- LS LIMIT SWITCH
- MD MIDCO BURNER
- MP MOTOR PACK
- MTR MOTOR
- OL1 OVERLOAD
- OVR OVERRIDE SWITCH
- PS-HP HIGH PRESSURE SWITCH
- PS-LP LOW PRESSURE SWITCH
- RDU RDU CONTROLLER
- RTC-C RTC CONTROL
- RTC-P RTC PROBE
- SPK SPARK IGNITOR
- TERMINAL BLOCK
- TR1 TRANSFORMER 1
- TR2 TRANSFORMER 2
- TS-HTL HIGH TEMP LIMIT CONTROL
- GV GAS VALVE

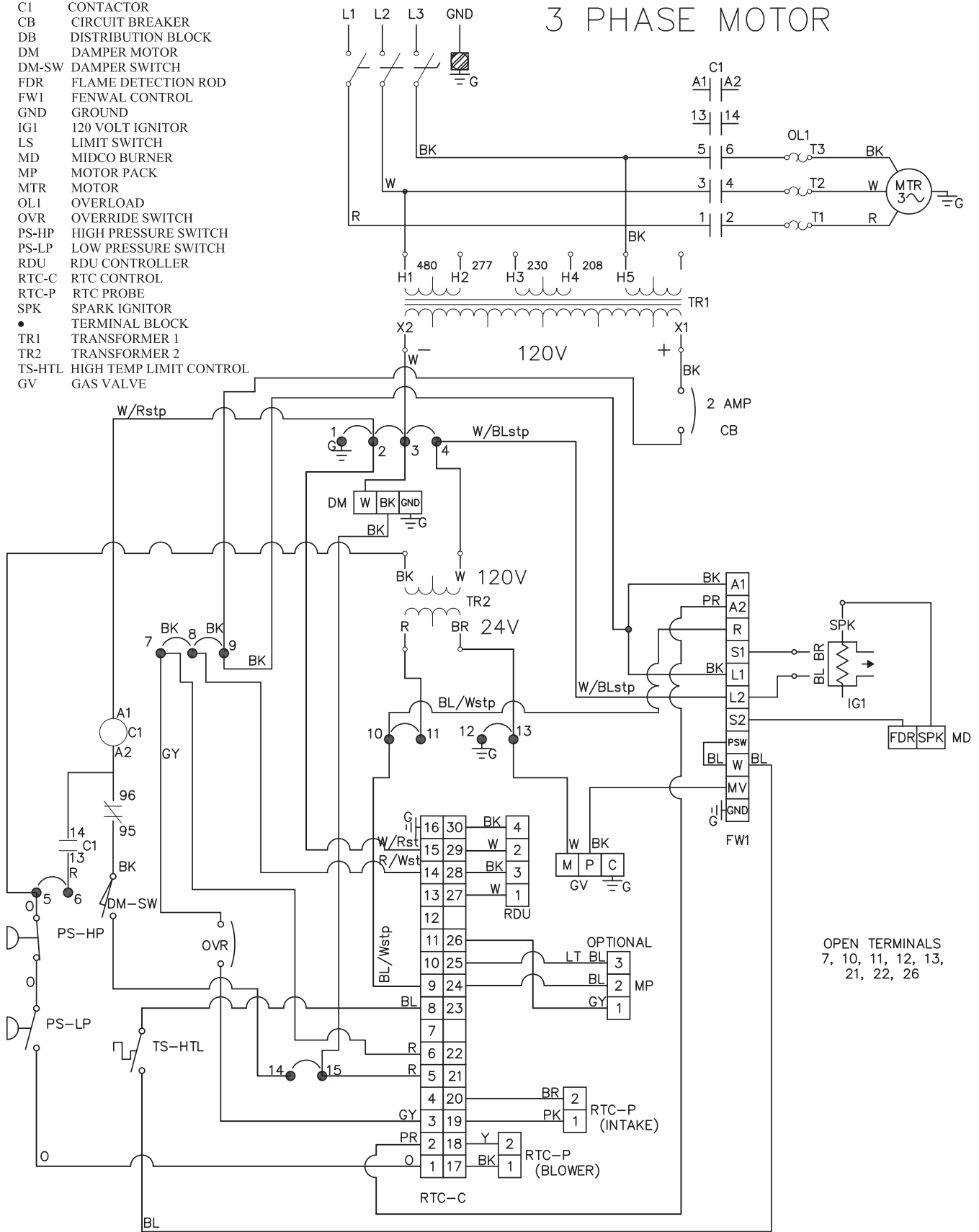
SINGLE PHASE MOTOR



LEGEND

- CI CONTACTOR
- CB CIRCUIT BREAKER
- DB DISTRIBUTION BLOCK
- DM DAMPER MOTOR
- DM-SW DAMPER SWITCH
- FDR FLAME DETECTION ROD
- FW1 FENWAL CONTROL
- GND GROUND
- IG1 120 VOLT IGNITOR
- LS LIMIT SWITCH
- MD MIDCO BURNER
- MP MOTOR PACK
- MTR MOTOR
- OL1 OVERLOAD
- OVR OVERRIDE SWITCH
- PS-HP HIGH PRESSURE SWITCH
- PS-LP LOW PRESSURE SWITCH
- RDU RDU CONTROLLER
- RTC-C RTC CONTROL
- RTC-P RTC PROBE
- SPK SPARK IGNITOR
- TERMINAL BLOCK
- TR1 TRANSFORMER 1
- TR2 TRANSFORMER 2
- TS-HTL HIGH TEMP LIMIT CONTROL
- GV GAS VALVE

3 PHASE MOTOR

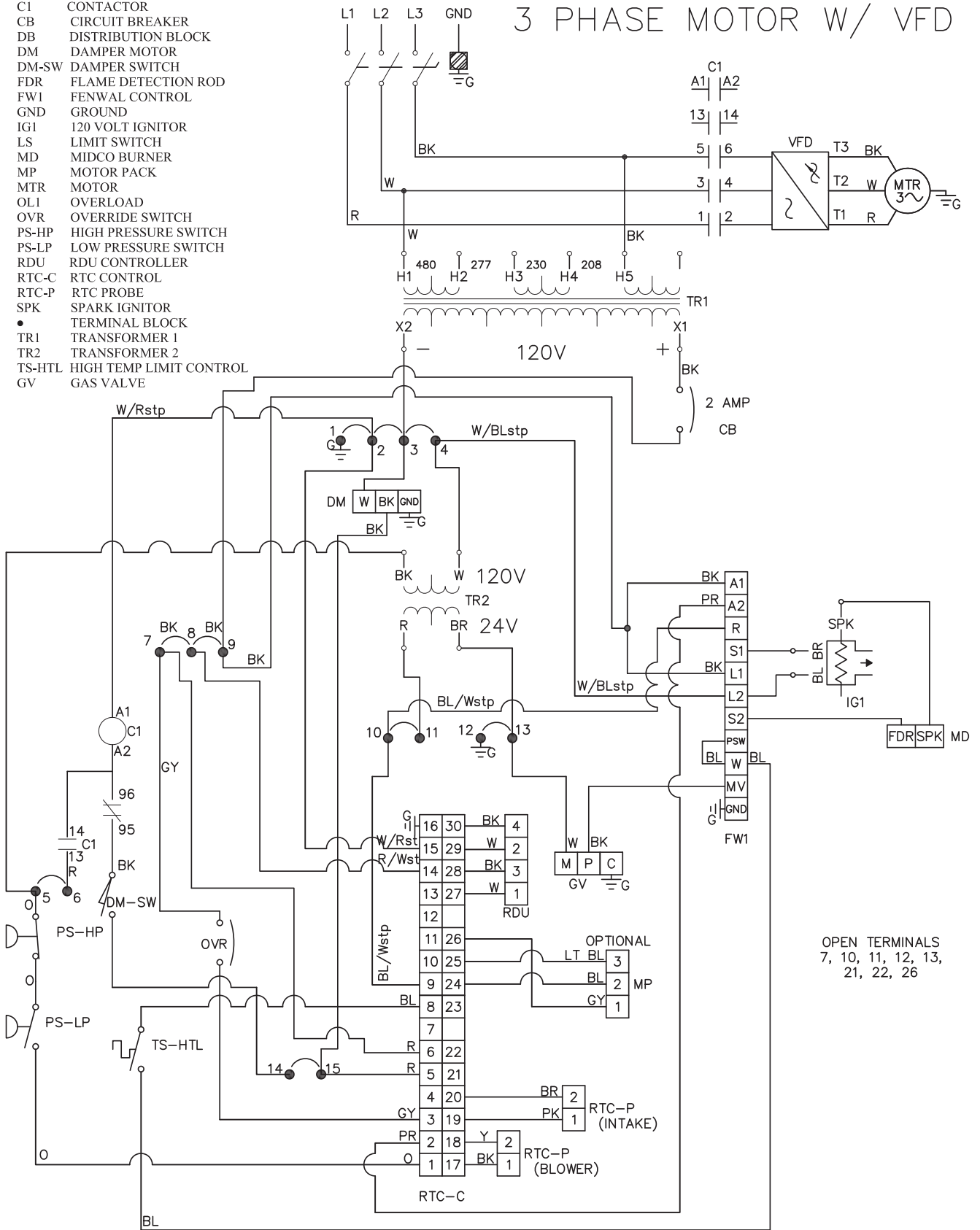


OPEN TERMINALS
7, 10, 11, 12, 13,
21, 22, 26

LEGEND

- C1 CONTACTOR
- CB CIRCUIT BREAKER
- DB DISTRIBUTION BLOCK
- DM DAMPER MOTOR
- DM-SW DAMPER SWITCH
- FDR FLAME DETECTION ROD
- FW1 FENWAL CONTROL
- GND GROUND
- IG1 120 VOLT IGNITOR
- LS LIMIT SWITCH
- MD MIDCO BURNER
- MP MOTOR PACK
- MTR MOTOR
- OL1 OVERLOAD
- OVR OVERRIDE SWITCH
- PS-HP HIGH PRESSURE SWITCH
- PS-LP LOW PRESSURE SWITCH
- RDU RDU CONTROLLER
- RTC-C RTC CONTROL
- RTC-P RTC PROBE
- SPK SPARK IGNITOR
- TERMINAL BLOCK
- TR1 TRANSFORMER 1
- TR2 TRANSFORMER 2
- TS-HTL HIGH TEMP LIMIT CONTROL
- GV GAS VALVE

3 PHASE MOTOR W/ VFD



LOREN COOK COMPANY

Corporate Offices 2015 E. Dale Street Springfield, MO 65803
Phone 417-869-6474 Fax 417-862-3820 LorenCook.com

Wiring Supplements - Sept. 2016