



COOK

EWB-Supply

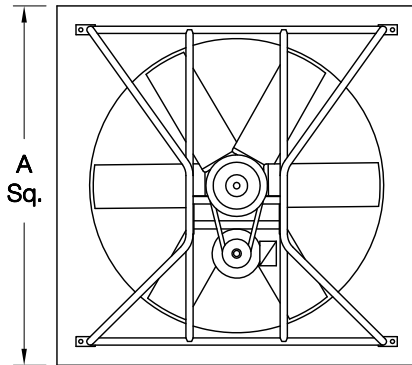
DATE: _____

PROJECT: _____

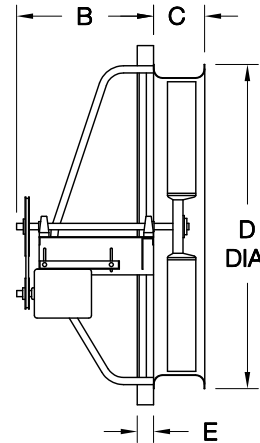
LOCATION: _____



Wall Supply Fan
Extruded Aluminum Propeller
Belt Drive



****Rotation**
 Sizes 24-60,
 Size 72 opposite



Air Flow

**** Correct propeller rotation is CCW (size 72 is CW) when viewing from inlet side.**

DIMENSION DATA

Size	A Sq.	B	C	D Dia.	E	Wall Opening *	Approx. Ship Wt.
24	36-3/16	20	6-5/8	27-3/8	3	36-7/16	150
30	42-3/16	21	6-3/4	33-3/8	3	42-7/16	185
36	48-3/16	21	7-1/4	39-3/8	3	48-7/16	220
42	54-3/16	21	8-1/16	46-3/8	3	54-7/16	285
48	60-3/16	24	8-1/16	52-3/8	3	60-7/16	355
54	66-3/16	27	9	58-3/8	3	66-7/16	420
60	72-3/16	27	9	64-3/8	3	72-7/16	510
72	84-3/16	27	10-3/8	76-3/8	3	84-7/16	590

ALL DIMENSIONS IN INCHES. WEIGHTS IN LBS., LESS MOTOR.
 * See wire guard or wall collar submittal for accessory wall opening.

STANDARD CONSTRUCTION FEATURES:

Extruded aluminum propeller - Propeller hub keyed to shaft - Propellers are statically and dynamically balanced - 14 gauge steel venturi - Welded wall base corners - Aluminum supply inlet - Heavy duty steel power assembly - Lorenized powder paint finish - Regreasable bearings in a cast housing rated at 200,000 hours average life - Adjustable pitch drives through 5 hp - Corrosion resistant fasteners - Static resistant belts - All fans factory adjusted to specified fan RPM.

ACCESSORIES

1. MOTORIZED CENTER PIVOT GALVANIZED SUPPLY SHUTTER
2. MOTORIZED CENTER PIVOT ALUMINUM SUPPLY SHUTTER
3. EPOXY POWDER
4. PHENOLIC EPOXY POWDER
5. PHENOLIC EPOXY WITH UV
6. PROP SIDE WIRE GUARD
7. MOTOR SIDE WIRE GUARD
8. WALL COLLAR
9. WEATHER HOOD
10. SHUTTER GUARD
11. DISCONNECT SWITCH
12. PRE-WIRED DISCONNECT SWITCH
13. PRE-WIRED DISCONNECT SWITCH WITH FLEXIBLE CONDUIT
14. KNOCKDOWN WEATHERHOOD

QTY	MARK	CATALOG NUMBER	FAN INFORMATION			MOTOR INFORMATION					ACCESSORIES			
			CFM	SP	RPM	HP	VOLTS	HZ	PH	TYPE				

LARGEST MOTOR SHIPPED MOUNTED: ODP (OPEN DRIP-PROOF) 5 HP; 2 SP (2 SPEED) 2 HP; X-PRF (EXPLOSION PROOF) 2 HP; TEFC (TOTALLY ENCLOSED FAN COOLED) 3 HP.

WP029R03