



COOK

Grease Tube

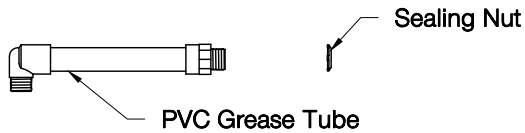
DATE: _____

PROJECT: _____

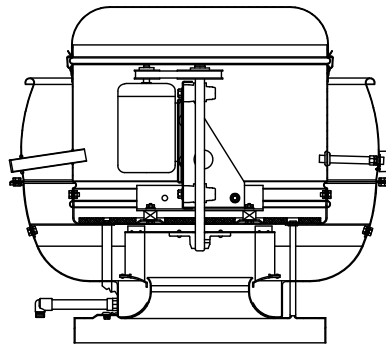
LOCATION: _____

Plastic or Aluminum Grease Tube

ACR, VCR, VCR-HP



Plastic Installation



Aluminum Installation

