



COOK ACRUD/ACRUD-HP/ACRUD-XP

DATE: _____
 PROJECT: _____
 LOCATION: _____

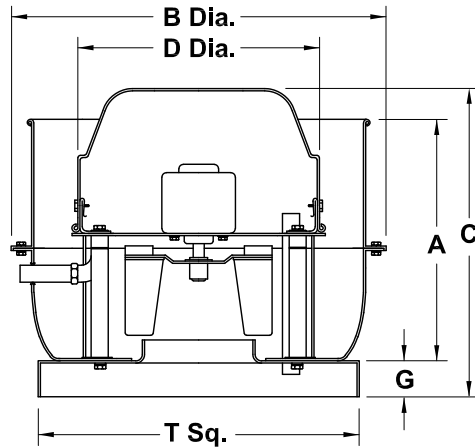


Upblast Centrifugal
 Exhaust Ventilator

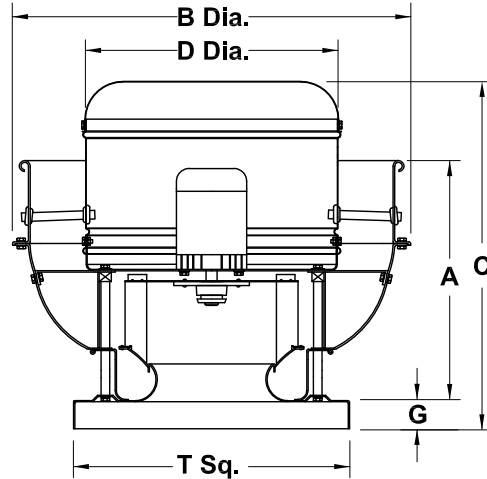
Hurricane / Missile Impact Resistant



Roof Mounted/Direct Drive



Sizes 70-100



Sizes 120-195

DIMENSION DATA

Size	A	B	C			D	G	T Sq.	Ship Wt.	Roof Opening Sq.*
			ACRUD	ACRUD-HP	ACRUD-XP					
70	11	17-1/8	13-3/8	-	-	10-5/8	2	18	20	13-1/2
90	13-1/2	21-1/8	16-3/8	-	-	13-7/16	2	18	28	13-1/2
100	13-1/2	21-1/8	16-3/8	-	-	13-7/16	2	18	30	13-1/2
120	19-1/16	30-3/16	28-1/8	-	-	20-1/8	2	20	67	15-1/2
135	19-1/16	30-3/16	28-5/8	-	-	20-1/8	2	20	72	15-1/2
150	20-15/16	34-11/16	30-1/4	27-1/2	-	23-9/16	2	24	87	19-1/2
165	20-15/16	34-11/16	30-3/4	27-3/4	26-11/16	23-9/16	2	24	90	19-1/2
180	24-13/16	39-7/16	35-7/8	33-3/8	31-9/16	25-7/8	3	30	102	25-1/2
195	24-13/16	39-7/16	-	33-1/2	32-1/8	25-7/8	3	30	112	25-1/2

ALL DIMENSIONS IN INCHES. WEIGHTS IN LBS.
 * ROOF OPENING SIZE FOR CURBS SUPPLIED BY COOK ONLY.

MIAMI-DADE COUNTY, FLORIDA

Notice of Acceptance (NOA) Number 17-0925.02/11-13-2023

-TAS-201: Large Missile Impact Test

-TAS-202: Uniform Static Air Pressure Test

-TAS-203: Cyclic Wind Pressure Test

FBC PRODUCT APPROVAL NUMBER: FL11695

STANDARD CONSTRUCTION FEATURES:

- All aluminum housing - Backward inclined all aluminum wheel -
- Removeable top cap - Welded curb cap corners - Birdscreen -
- Permanently lubricated sealed bearing motors - Corrosion resistant fasteners - Transit tested packaging.

ACCESSORIES

1. DISCONNECT SWITCH
2. GRAVITY BACKDRAFT DAMPER
3. MOTORIZED BACKDRAFT DAMPER
4. RCG GALVANIZED CURB
5. RCA ALUMINUM CURB
6. FAN SPEED CONTROL
7. EPOXY COATING
8. ANTI-CONDENSATE COATING
9. GREASE TERMINATOR
10. LESS BIRDSCREEN

QTY	MARK	CATALOG NUMBER	FAN INFORMATION			MOTOR INFORMATION					ACCESSORIES		
			CFM	SP	RPM	HP	VOLTS	HZ	PH	TYPE			

MOTOR TYPE: ODP (OPEN DRIP-PROOF); 2 SP (2 SPEED); X-PRF (EXPLOSION PROOF); TEFC (TOTALLY ENCLOSED FAN COOLED).

AC012R02